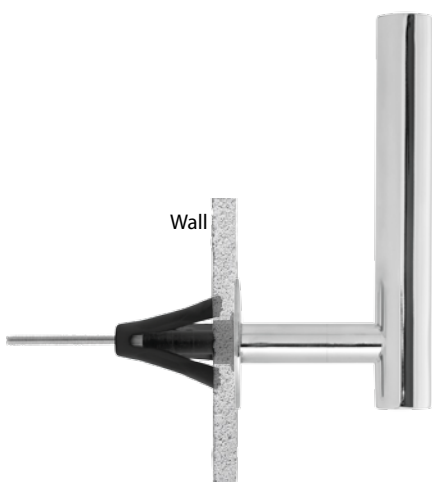


# WINGITS® MAX Elegance™

## Vertical Toilet Paper Holder

**Model:**  
**WXEVTPH**

**Part Numbers:**  
**WXEVTPHPS** Polished Finish  
**WXEVTPHSN** Satin Finish



- Made of 18/8 (304) stainless steel
- Patented BridgeBind™ Technology - fully HeliArc welded construction
- Available in high polished or satin finishes - compliments any bathroom style
- Functionality - durability - maintenance free
- Easy installation - guaranteed to NEVER loosen using WingIts® Fasteners (optional)
- Clean flowing lines through minimalist design
- Coordinates with other products in the MAX Elegance™ collection

*PATENTED*  
**BridgeBind™ Technology**

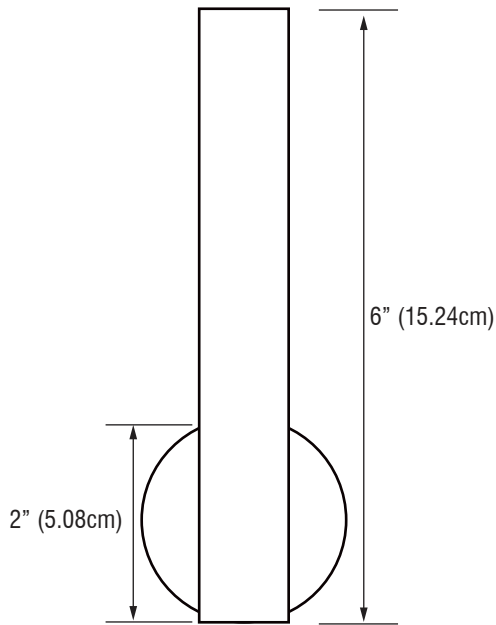


BridgeBind™ technology is the result of drilling a hole completely through stainless steel rod - inserting a solid stainless steel pin and HeliArc welding the pin to the far point of the tube - solidifying the pin and tube into one piece - CREATING THE ULTIMATE STRUCTURAL BOND.

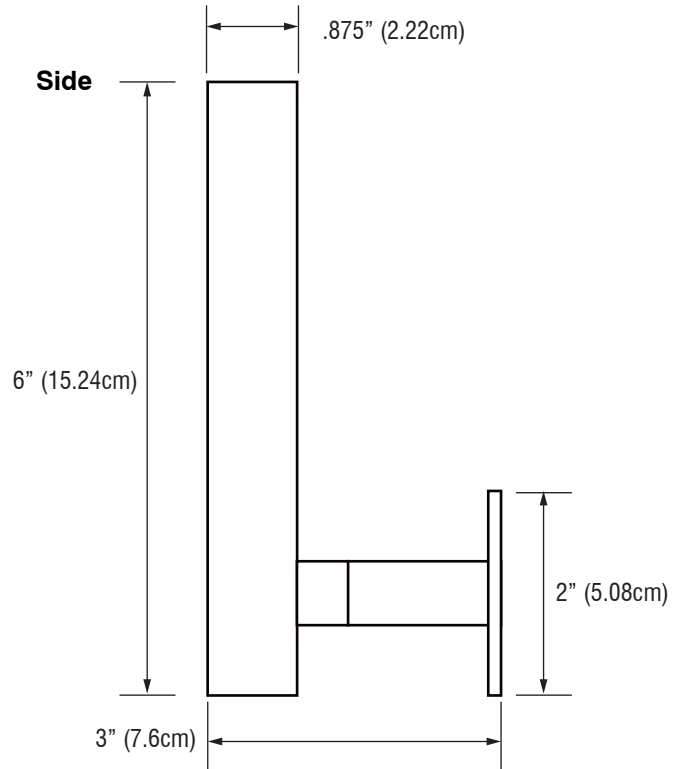
<b>MECHANICAL DATA</b>
<b>Height:</b> 6" (15.24cm)
<b>Length:</b> 2" (5.08cm)
<b>Projection:</b> 3" (7.62cm)
<b>PRODUCT COMPOSITION</b>
Entire product is solid 18/8 (304) HeliArc welded stainless steel, including caps and pin.
<b>MODALITY</b>
<b>Use:</b> Must be used vertical position.
<b>INSTALLATION</b>
WINGITS® MAX Elegance™ Toilet Paper Holders are designed to be installed into adequate structural blocking or with optional WINGITS® MASTER Anchor™ Fastener (MAW35) for hollow wall construction.

# WINGITS®

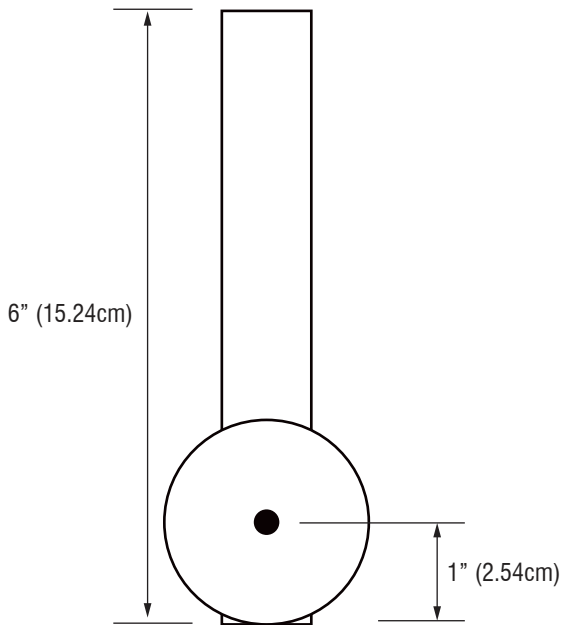
Front



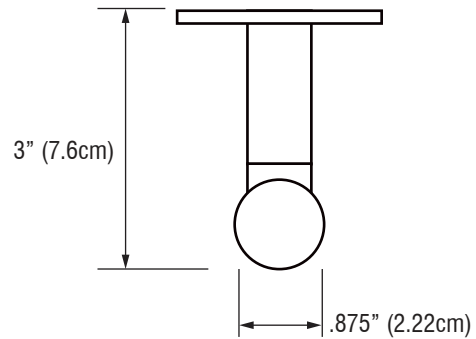
Side



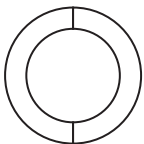
Back



Top



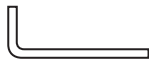
**INCLUDED HARDWARE**



3M® VHB Waterproof Tape x 1



Large Screw x 1



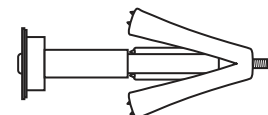
Allen Wrench x 1



Set Screw x 1

**OPTIONAL HARDWARE**

(Sold Separately)



WINGITS® MASTER Anchor™  
(MAW35) x 1