

WINGITS®

MODERN Transitional™ Square Flange Towel Ring with Round Tubing

Model:
WMTTRING

Part Numbers:
WMTTRINGPS **WMTTRINGSN**
 Polished Finish Satin Finish



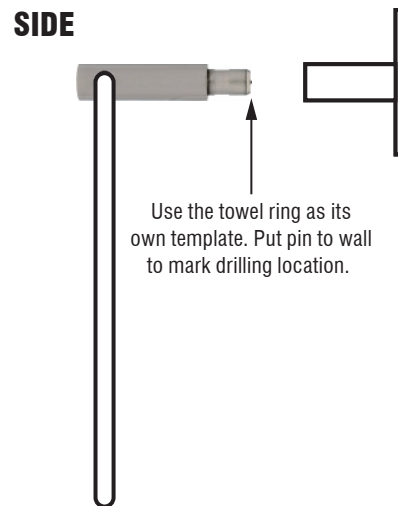
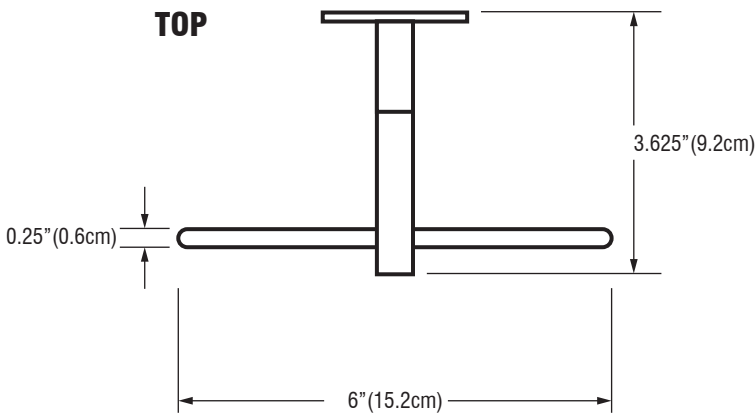
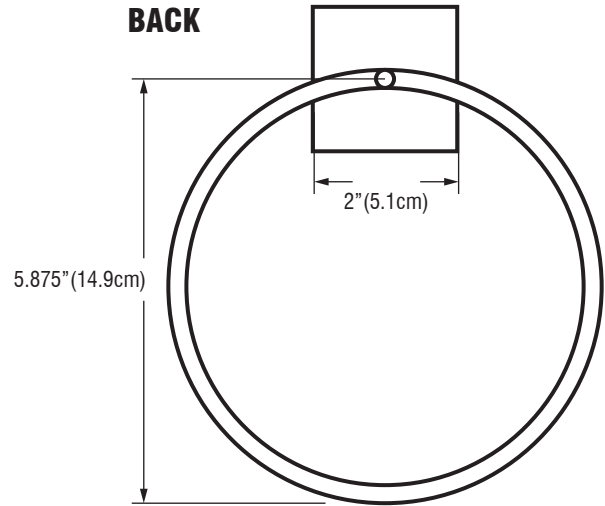
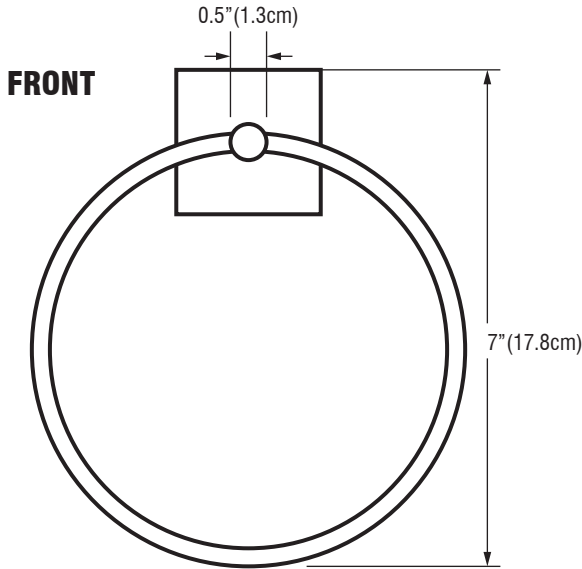
Contemporary design combines with **PATENTED** BridgeBind™ Technology resulting in bathroom accessories with:

- Unparalleled strength
- Beauty
- Functionality
- Durability
- Solid Stainless Steel Ring
- No lines for dirt to collect (maintenance free)

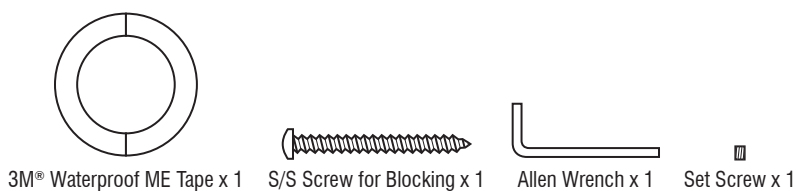
MECHANICAL DATA	
Height: 7" (17.8cm)	Diameter: 6" Ring (15.2cm)
Length: 6" (15.2cm)	
Projection: 3.625" (9.2cm)	
PRODUCT COMPOSITION	
Entire product is 18/8 (304) stainless steel. Stainless steel ring with solid stainless steel stand-offs.	
MODALITY	
Use: Wall Installation.	
INSTALLATION	
WingIts® MODERN Transitional™ Stainless Steel Towel Rings are designed to be installed into adequate structural blocking or with WingIts® MASTER Anchor™ Fasteners for MODERN Transitional™ Bath Accessories (MAWME35).	
RECOMMENDED INTEGRATION	
For the strongest possible installation, it is recommended that WingIts® MASTER Anchor™ for MODERN Transitional™ Bath Accessories (MAWME35) is used with this product.	

WMTTRING(PS)(SN)20141106

WINGITS®



INCLUDED HARDWARE



OPTIONAL HARDWARE
(Sold Separately)

