

WINGITS® INFINITE Squared™ GRAND

Square Flange Towel Ring with Square Tubing

Model:
WITSQGTRING

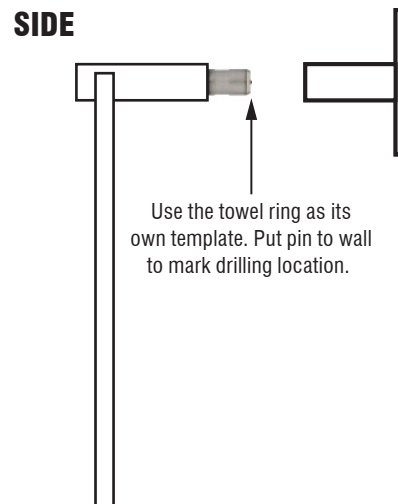
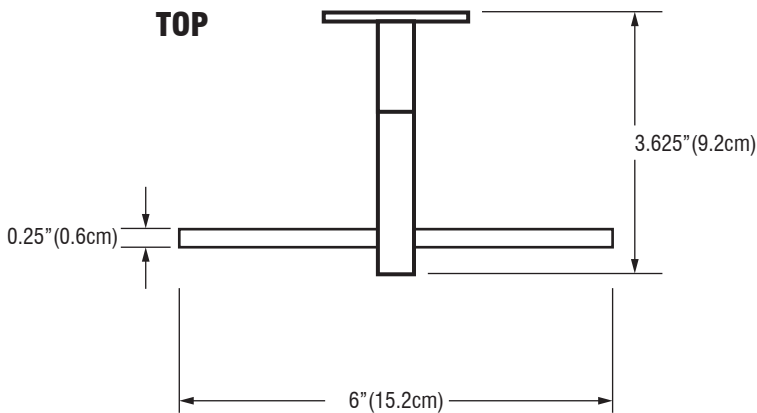
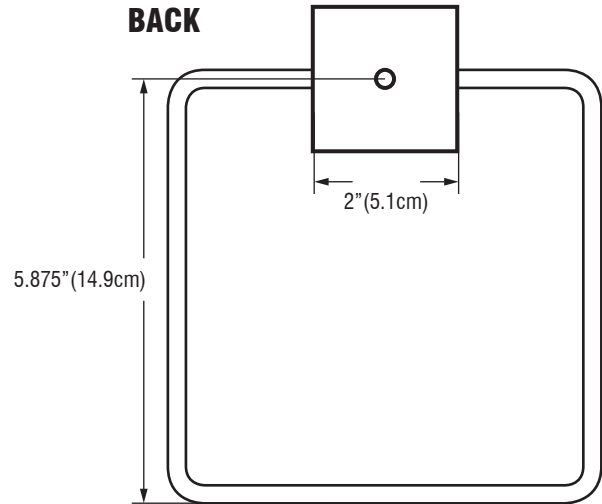
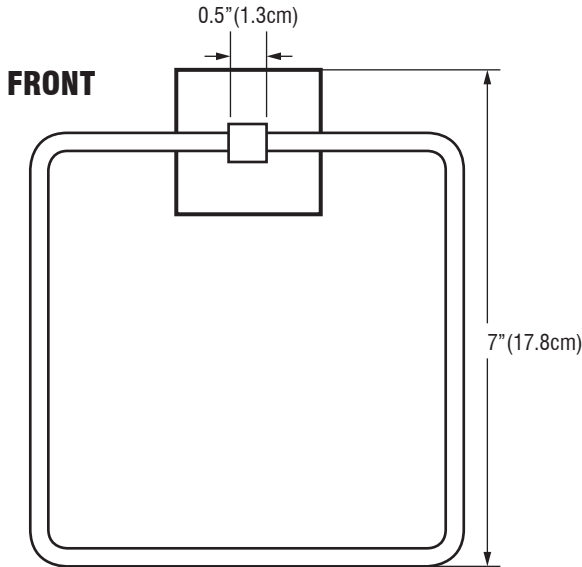
Part Numbers:
WITSQGTRINGPS Polished Finish
WITSQGTRINGSN Satin Finish



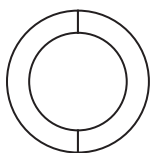
MECHANICAL DATA	
Height: 7" (17.8cm)	Diameter: 6" Ring (15.2cm)
Length: 6" (15.2cm)	
Projection: 3.625" (9.2cm)	
PRODUCT COMPOSITION	
Entire product is 18/8 (304) stainless steel. Stainless steel ring with solid stainless steel stand-offs.	
MODALITY	
Use: Wall Installation.	
INSTALLATION	
WINGITS® INFINITE Squared™ GRAND Stainless Steel Towel Rings are designed to be installed into adequate structural blocking or with WINGITS® MASTER Anchor™ Fasteners for INFINITE Squared™ GRAND Bath Accessories (MAWME35).	
RECOMMENDED INTEGRATION	
For the strongest possible installation, it is recommended that WINGITS® MASTER Anchor™ for INFINITE Squared™ GRAND Bath Accessories (MAWME35) is used with this product.	

WITSQGTRING(P/S)(S/N)20161114

WINGITS®



INCLUDED HARDWARE



3M® Waterproof ME Tape x 1



S/S Screw for Blocking x 1



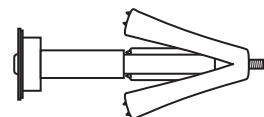
Allen Wrench x 1



Set Screw x 1

OPTIONAL HARDWARE

(Sold Separately)



WingIts® MASTER Anchor™ for INFINITE Squared™ GRAND Bath Accessories (MAWME35) x 1