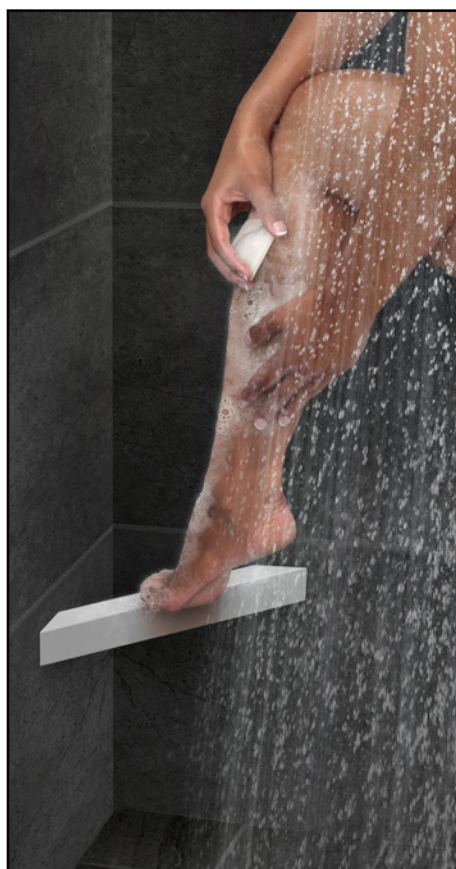
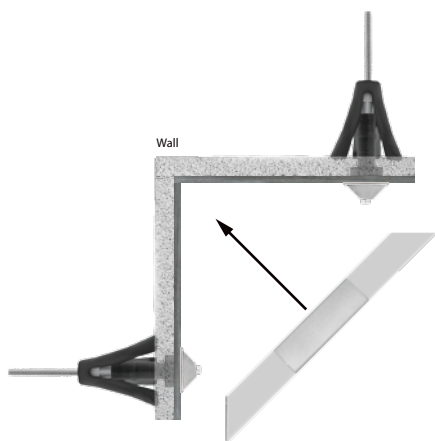
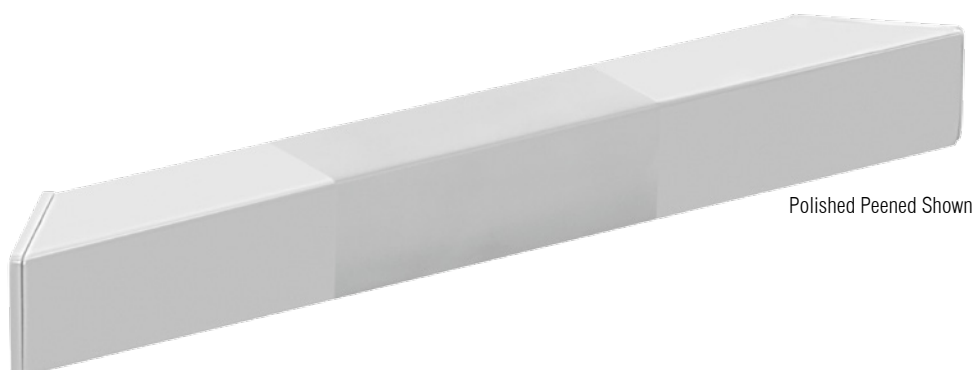
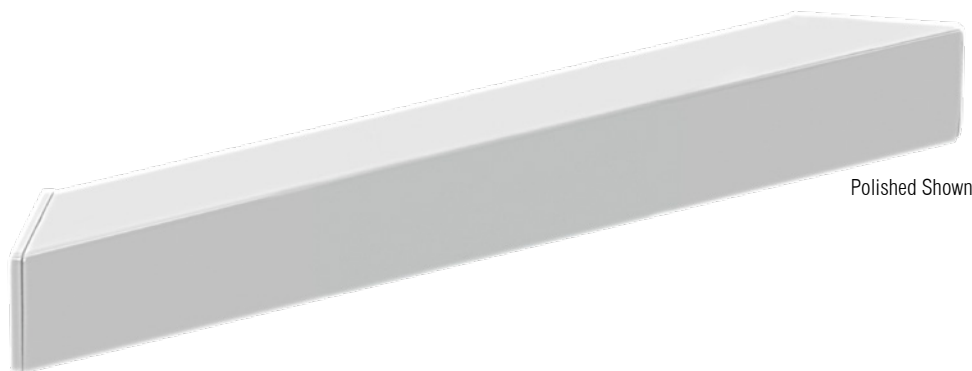


# WINGITS® INFINITE Squared™ Tubular Corner Foot Rest

**Model:**  
**WITSQFRTC**

**Part Numbers:**  
**WITSQFRTC8PS**    **WITSQFRTC8SN**  
 8" Polished Finish    8" Satin Finish  
**WITSQFRTC8PSPE**    **WITSQFRTC8SNPE**  
 8" Polished    8" Satin  
 Peened Finish    Peened Finish

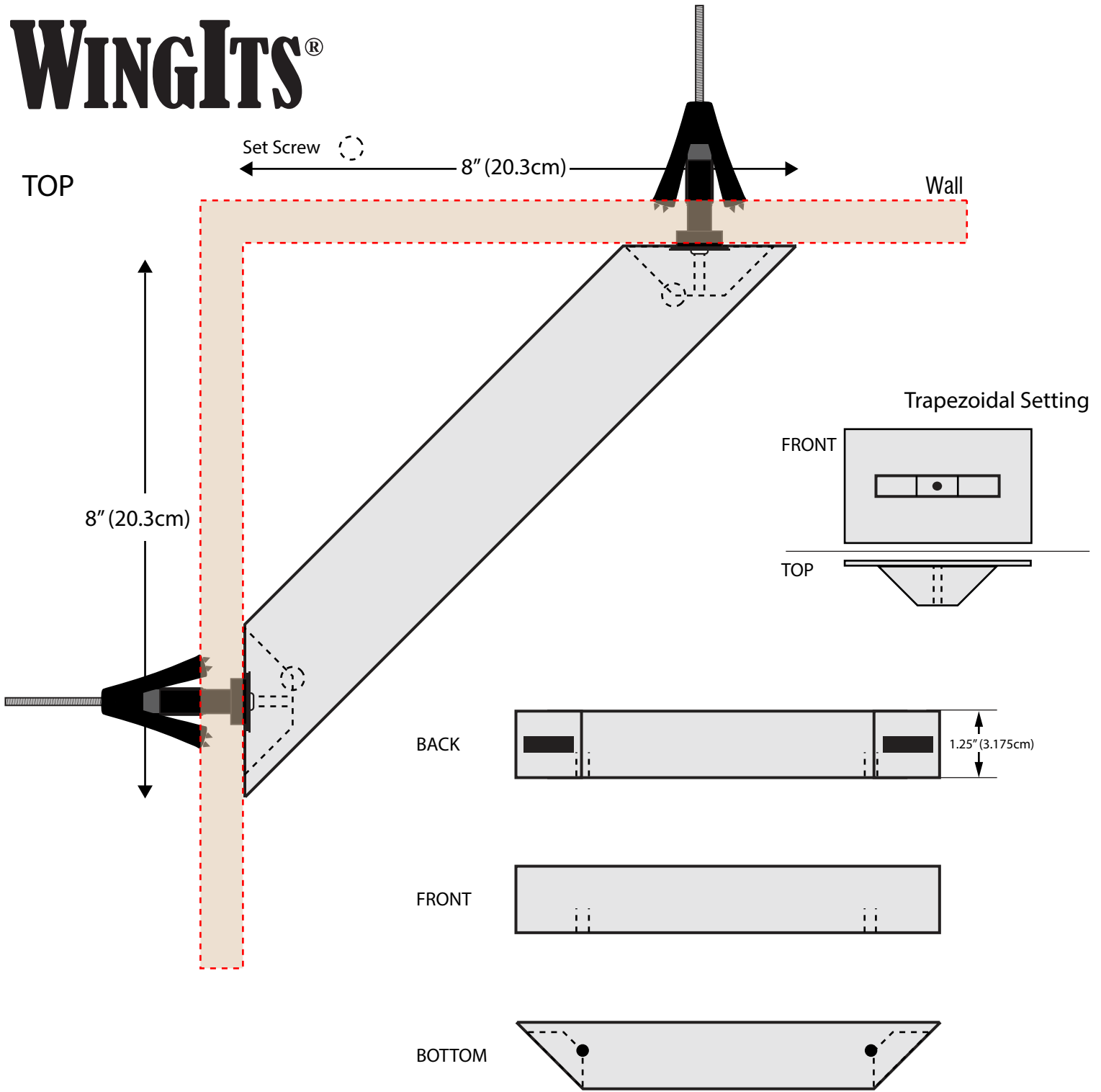


Contemporary design combines with structural durability resulting in the World's Strongest Foot Rest with:

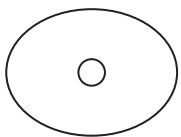
- Structural 18/8 (304) Stainless Steel
- Beauty-Functionality-Durability
- No lines for dirt to collect - maintenance free
- Unparalleled strength
- Anti-Slip Grip
- Includes 2 FREE MASTER Anchors™ - for Guaranteed Installation

<b>MECHANICAL DATA</b>
<b>Length:</b> 8" (20.3cm)
<b>Projection:</b> 8" (20.3cm)
<b>Height:</b> 1.25" (3.175cm)
<b>PRODUCT COMPOSITION</b>
Entire product is stainless steel.
<b>MODALITY</b>
<b>Use:</b> Watertight wall installation.
<b>INSTALLATION</b>
<b>WINGITS®</b> INFINITE Squared™ Tubular Corner Foot Rest is designed to be installed into adequate structural blocking or with <b>WINGITS®</b> Fasteners (MAWME40).
<b>RECOMMENDED INTEGRATION</b>
For hollow wall construction, use <b>WINGITS®</b> Fasteners (MAWME40).

# WINGITS®



## INCLUDED HARDWARE



3M VHB Waterproof Tape x 2



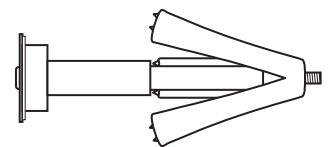
S/S Screw for Blocking x 2



Allen Wrench x 1



Set Screw x 2



Wingits® MASTER Anchor™ Fastener (MAWME40) x 2 for Hollow Wall