

WINGITS® CONTOUR™ RECTANGULAR

5' Curved Shower Rod

Model:
WCONREC

GEN 3 - SIMPLY THE BEST CURVED SHOWER ROD EVER!

Our newest and strongest shower rod

Part Numbers:

WCONRECPS5NC

5' Curved Shower Rod
Polished Finish

WCONRECSN5NC

5' Curved Shower Rod
Satin Finish

WCONRECPS5REN

5' Curved Shower Rod
Polished Finish
(Includes **WingIts®** Fasteners)

WCONRECSN5REN

5' Curved Shower Rod
Satin Finish
(Includes **WingIts®** Fasteners)



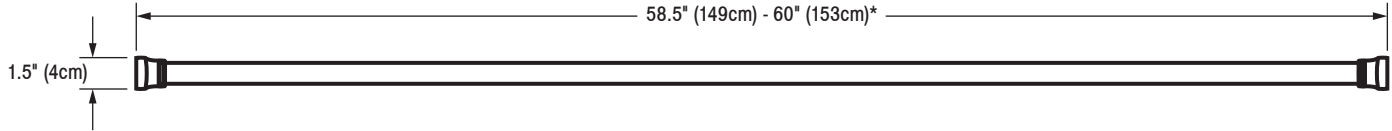
World's Strongest Shower Rod™

- No unsightly joints or hinges. Just clean, flowing lines.
- Hidden multi-vector interlock; keeps the rod from sagging. Guaranteed.
- Structure, durability, and ease of use for all curtain types.
- The simplest installation of all curved rods.
- Can install in drywall with **WingIts®** Fasteners (included in some models).
- Maintenance free. No exposed 'hinge' to clean or re-tighten.

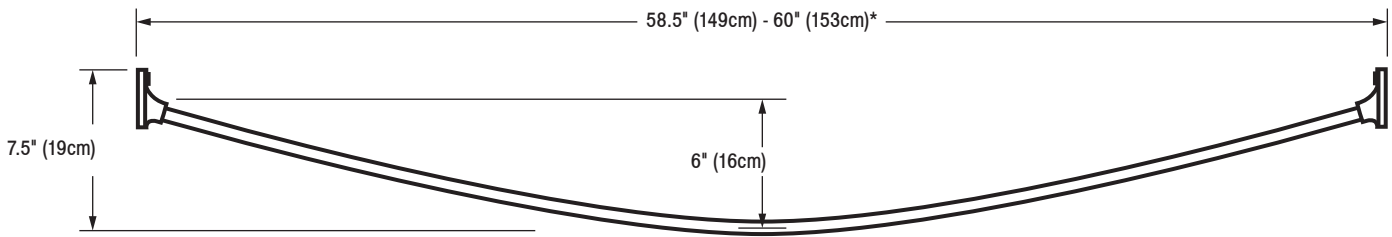
MECHANICAL DATA
<p>Height: 1.5" (4cm) Width: Adjusts from 58.5" (149cm) to 60" (153cm) without modifying tube. Projection: Rod projects 6" (16cm) Rod Dimensions: Rod is 0.5" (1.3cm) thick, 1" (2.5cm) tall. Weight: 2 lbs (0.91kg)</p>
PRODUCT COMPOSITION
<p>Tubing: 22 gauge stainless steel. Bracket: Chrome plated zinc.</p>
MODALITY
<p>Use: Shower wall installation.</p>
INSTALLATION
<p>NC Part Number: CONTOUR™ RECTANGULAR Curved Shower Rods with "NC" part number must be installed into adequate structural blocking or with optional WINGITS® Fasteners.</p> <p>REN Part Number: CONTOUR™ RECTANGULAR Curved Shower Rods with "REN" part number include WingIts® Hollow Wall Anchors.</p>
RECOMMENDED INTEGRATION
<p>For hollow wall construction, it is recommended that WingIts® Hollow Wall Anchors are used with this product.</p>

WINGITS®

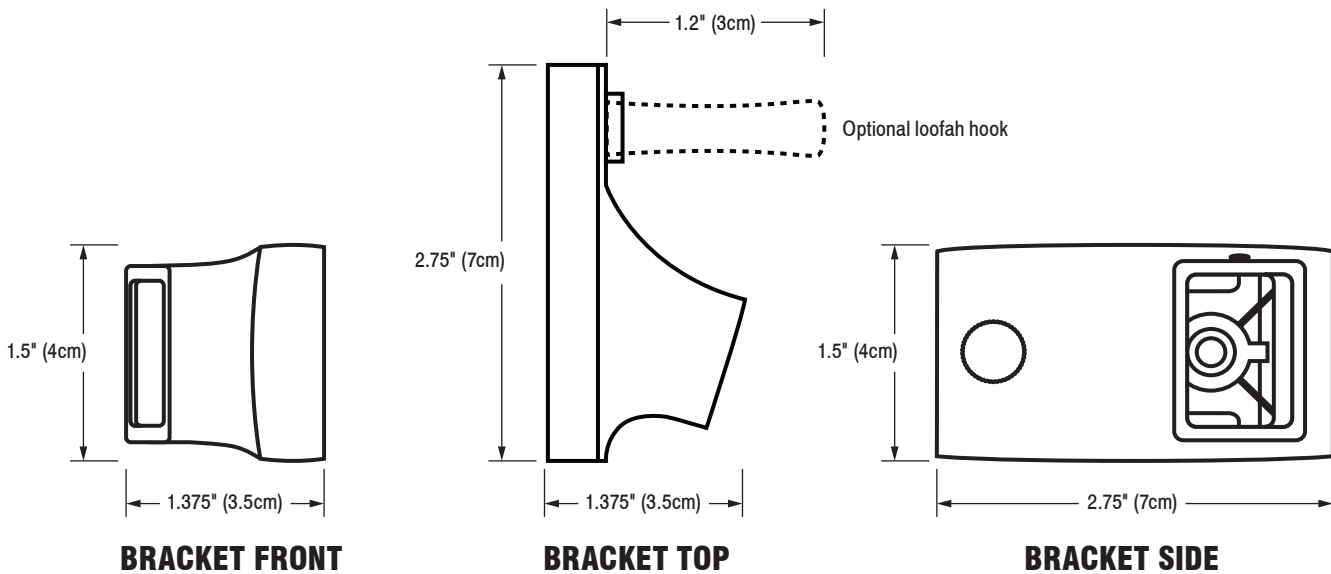
FRONT



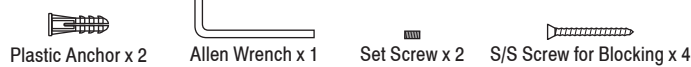
TOP



*Rod can be cut if further modification is needed



NC KIT INCLUDED HARDWARE



REN KIT INCLUDED HARDWARE

