

WINGITS® CONTOUR™

Round Flange Single Robe Hook

Model:
WCONSRH

Part Numbers:
WCONSRHPS **WCONSRHSN**
 Polished Finish Satin Finish

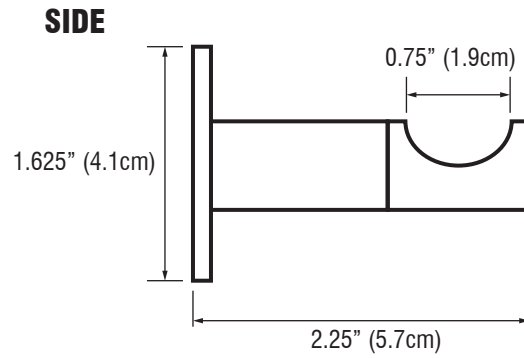
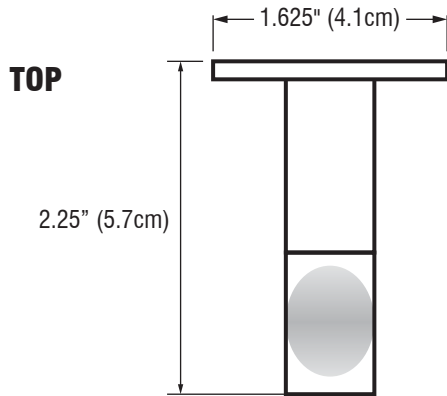
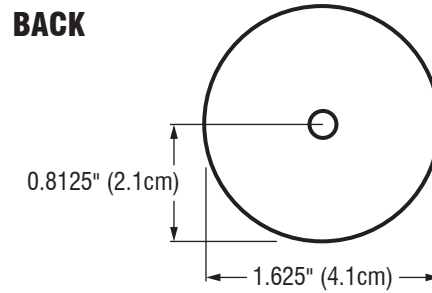
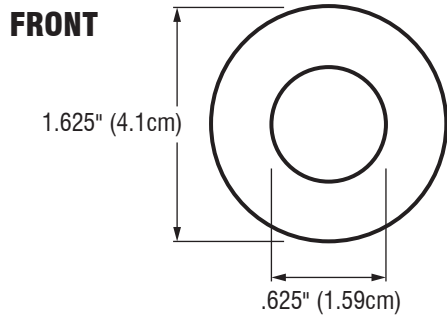


Contemporary design combines with a fully HeliArc welded construction, resulting in a Single Robe Hook with:

- Structural Stainless Steel
- Beauty-Functionality-Durability
- No lines for dirt to collect - maintenance free
- Unparalleled strength

MECHANICAL DATA
<p>Height: 1.625" (4.1cm) Length: 1.625" (4.1cm) Projection: 2.25" (5.7cm)</p>
PRODUCT COMPOSITION
<p>Entire product is solid 18/8 (304) HeliArc welded stainless steel.</p>
MODALITY
<p>Use: Can be used in vertical or horizontal position.</p>
INSTALLATION
<p>WingIts® CONTOUR™ Single Robe Hooks are designed to be installed into adequate structural blocking or with optional WingIts® Fastener.</p>
RECOMMENDED INTEGRATION
<p>It is recommended that WingIts® MASTER Anchor™ for CONTOUR™ Bath Accessories (MAWME35) is used with this product.</p>

WINGITS®



INCLUDED HARDWARE



OPTIONAL HARDWARE
(Sold Separately)

