

# WINGITS® CONTOUR™

## Square Flange Single Robe Hook

**Model:**  
**WCONTSRH**

**Part Numbers:**  
**WCONTSRHPS** Polished Finish    **WCONTSRHSN** Satin Finish

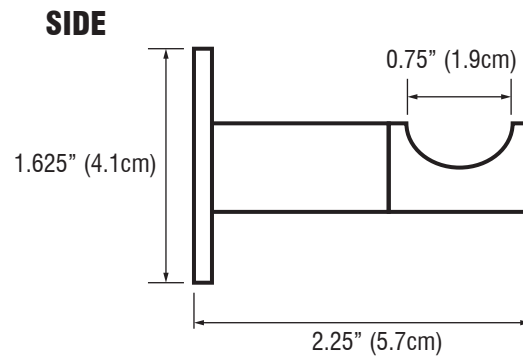
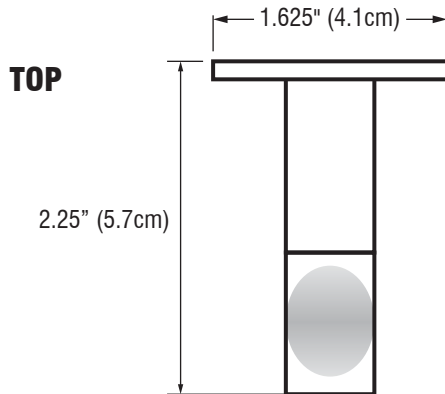
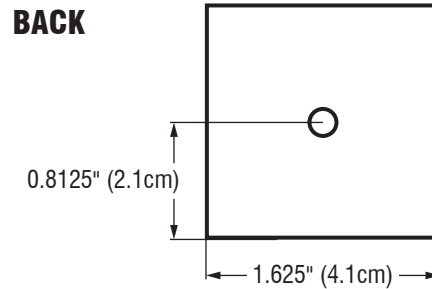
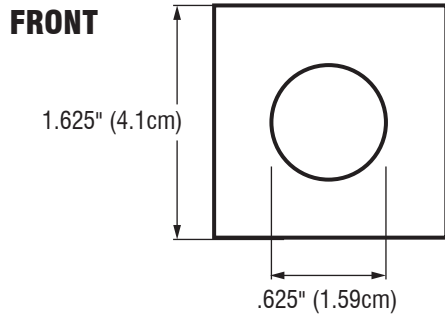


Contemporary design combines with a fully HeliArc welded construction, resulting in a Single Robe Hook with:

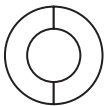
- Structural Stainless Steel
- Beauty-Functionality-Durability
- No lines for dirt to collect - maintenance free
- Unparalleled strength

<b>MECHANICAL DATA</b>
<p><b>Height:</b> 1.625" (4.1cm)  <b>Length:</b> 1.625" (4.1cm)  <b>Projection:</b> 2.25" (5.7cm)</p>
<b>PRODUCT COMPOSITION</b>
Entire product is solid 18/8 (304) HeliArc welded stainless steel.
<b>MODALITY</b>
<b>Use:</b> Can be used in vertical or horizontal position.
<b>INSTALLATION</b>
<b>WINGITS® CONTOUR</b> Transstional™ Single Robe Hooks are designed to be <b>installed into adequate structural blocking</b> or with optional <b>WINGITS® Fastener</b> .
<b>RECOMMENDED INTEGRATION</b>
It is recommended that <b>WINGITS® MASTER Anchor™</b> for CONTOUR Transstional™ Bath Accessories (MAWME35) is used with this product.

# WINGITS®



**INCLUDED HARDWARE**



3M® Waterproof Tape x 1



Allen Wrench x 1



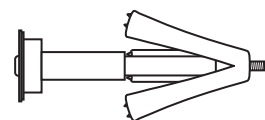
S/S Screw for Blocking x 1



Set Screw x 1

**OPTIONAL HARDWARE**

(Sold Separately)



Wingits® MASTER Anchor™ for CONTOUR Transitional™ Bath Accessories (MAWME35) x 1