

WINGITS® CONTOUR™

Square Flange Single Robe Hook

Model:
WCONTSRH

Part Numbers:
WCONTSRHPS Polished Finish
WCONTSRHSN Satin Finish

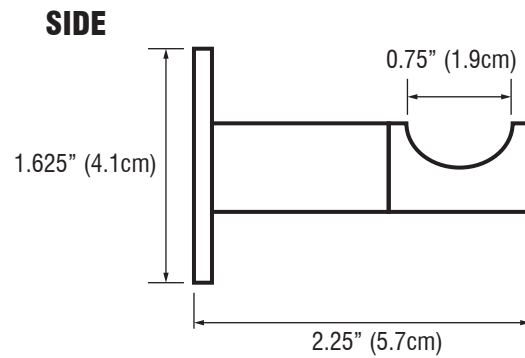
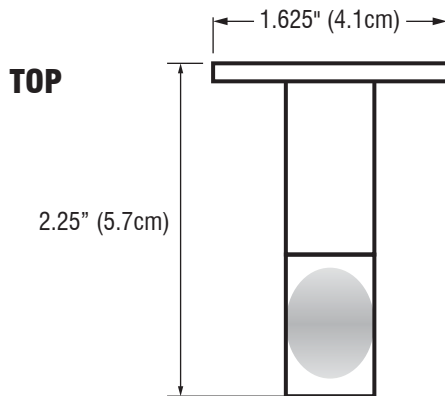
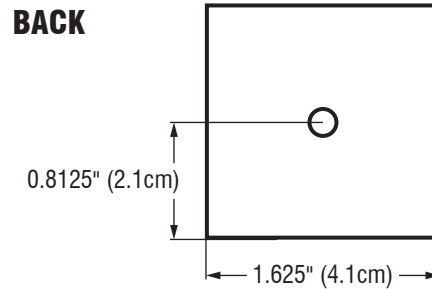
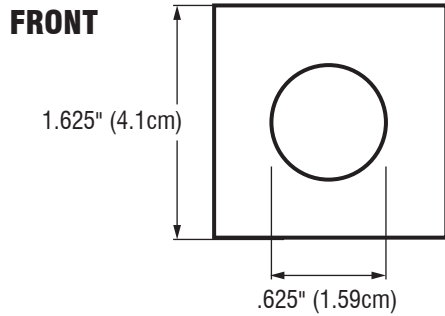


Contemporary design combines with a fully HeliArc welded construction, resulting in a Single Robe Hook with:

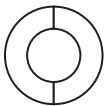
- Structural Stainless Steel
- Beauty-Functionality-Durability
- No lines for dirt to collect - maintenance free
- Unparalleled strength

MECHANICAL DATA
<p>Height: 1.625" (4.1cm) Length: 1.625" (4.1cm) Projection: 2.25" (5.7cm)</p>
PRODUCT COMPOSITION
Entire product is solid 18/8 (304) HeliArc welded stainless steel.
MODALITY
Use: Can be used in vertical or horizontal position.
INSTALLATION
WingIts® CONTOUR Transstional™ Single Robe Hooks are designed to be installed into adequate structural blocking or with optional WingIts® Fastener .
RECOMMENDED INTEGRATION
It is recommended that WingIts® MASTER Anchor™ for CONTOUR Transstional™ Bath Accessories (MAWME35) is used with this product.

WINGITS®



INCLUDED HARDWARE



3M® Waterproof Tape x 1



Allen Wrench x 1



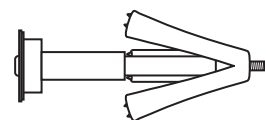
S/S Screw for Blocking x 1



Set Screw x 1

OPTIONAL HARDWARE

(Sold Separately)



Wingits® MASTER Anchor™ for CONTOUR Transitional™ Bath Accessories (MAWME35) x 1