

WINGITS® CRESCENT™ ROUND

5' Curved Shower Rod (6" Bow)

Model:
WCRBS5-6
WCRSS5-6

GEN 1 BRACKETS

Part Numbers:

WCRBS5-6SP	WCRBS5-6SP
5' Curved Shower Rod	5' Curved Shower Rod
6" Bow	6" Bow
Polished Finish	Satin Finish

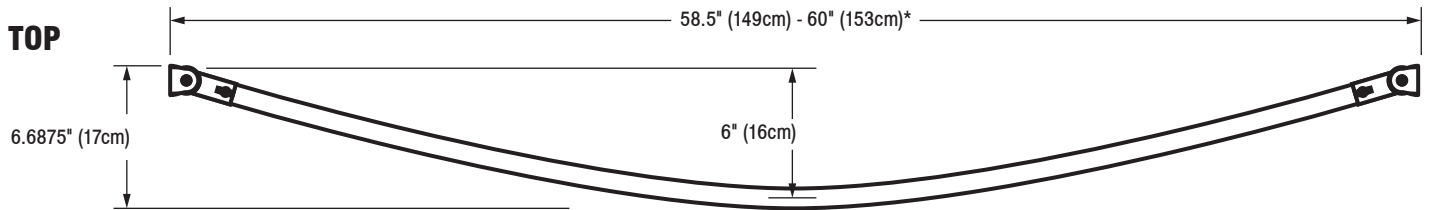
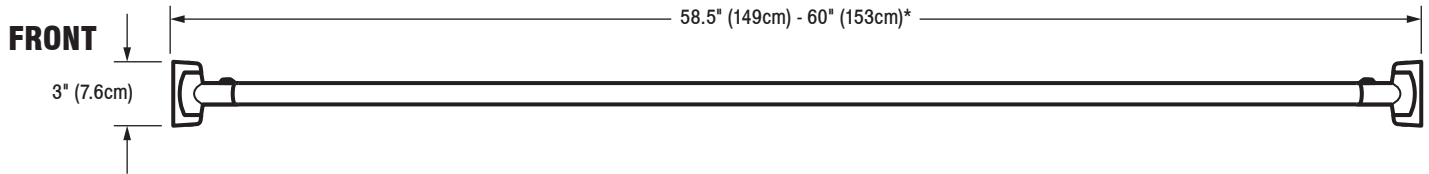
Stainless steel screws are included to install into adequate structural blocking.



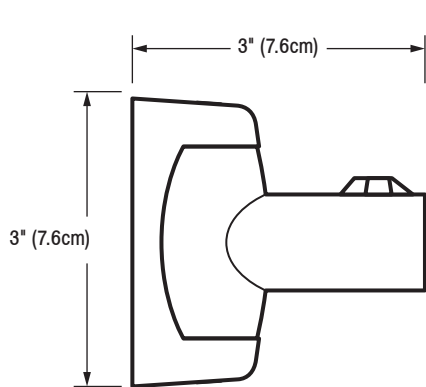
- Gives up to 25% more tub space.
- Available in satin and bright polished finishes.
- Custom sizes available.
- Can install into hollow wall using **WingIts®** fastener.

MECHANICAL DATA
<p>Height: 3" (7.6cm) Width: Adjusts from 58.5" (149cm) to 60" (153cm) without modifying tube. Projection: Rod projects 6" (16cm) Rod Dimensions: Rod is 1" (2.5cm) thick tube. Weight: 2 lbs (0.9 lbs)</p>
PRODUCT COMPOSITION
<p>Tubing: 22 gauge stainless steel. Bracket: Chrome plated zinc.</p>
MODALITY
<p>Use: Shower wall installation.</p>
INSTALLATION
<p>WingIts® CRESCENT™ ROUND Curved Shower Rods must be installed into adequate structural blocking or with optional WingIts® Fasteners.</p>
RECOMMENDED INTEGRATION
<p>For hollow wall construction, it is recommended that WingIts® Hollow Wall Anchors are used with this product.</p>

WINGITS®



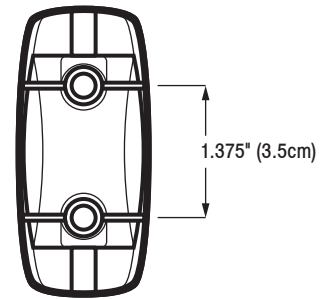
*Rod can be cut if further modification is needed



BRACKET SIDE



BRACKET TOP

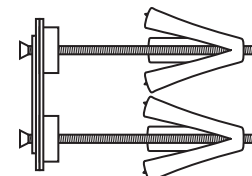


BRACKET BACK

INCLUDED HARDWARE



OPTIONAL HARDWARE
(Sold Separately)



WingItz® Bath Accessory WingItz Fastener (BAW30) x 2