

WINGITS® INFINITE Elegance™

Single Robe Hook with Single Mitered Edge

Model:
WIESRH

Part Numbers:
WIESRHPSM1 Polished Finish
WIESRHSM1 Satin Finish



Contemporary design combines with **PATENTED** BridgeBind™ Technology resulting in a Robe Hook with:

- Structural Stainless Steel
- Beauty-Functionality-Durability
- No lines for dirt to collect - maintenance free
- Unparalleled strength

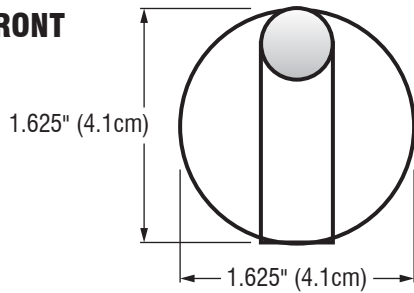
BridgeBind™ Technology is the result of drilling a hole completely through stainless steel tubing, inserting a solid stainless steel pin, and HeliArc welding the pin to the far point of the tube; solidifying the pin and tube into one piece. Creating the ultimate structural bond.

18/8 (304) HeliArc welded stainless steel.

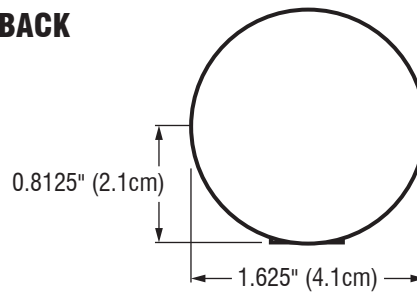
MECHANICAL DATA
Height: 1.625" (4.1cm)
Width: 1.625" (4.1cm)
Depth: 2.25" (5.7cm)
PRODUCT COMPOSITION
Entire product is solid 18/8 (304) HeliArc welded stainless steel.
MODALITY
Use: Mitered edge can be used in vertical position facing up or down.
INSTALLATION
WINGITS® INFINITE Elegance™ Single Robe Hooks are designed to be installed into adequate structural blocking or with optional WINGITS® Fastener .
RECOMMENDED INTEGRATION
It is recommended that WINGITS® MASTER Anchor for INFINITE Elegance™ Bath Accessories (MAWME35) is used with this product.

WINGITS®

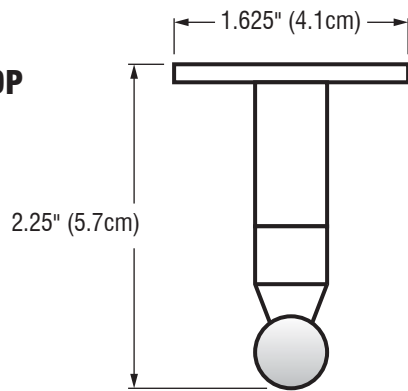
FRONT



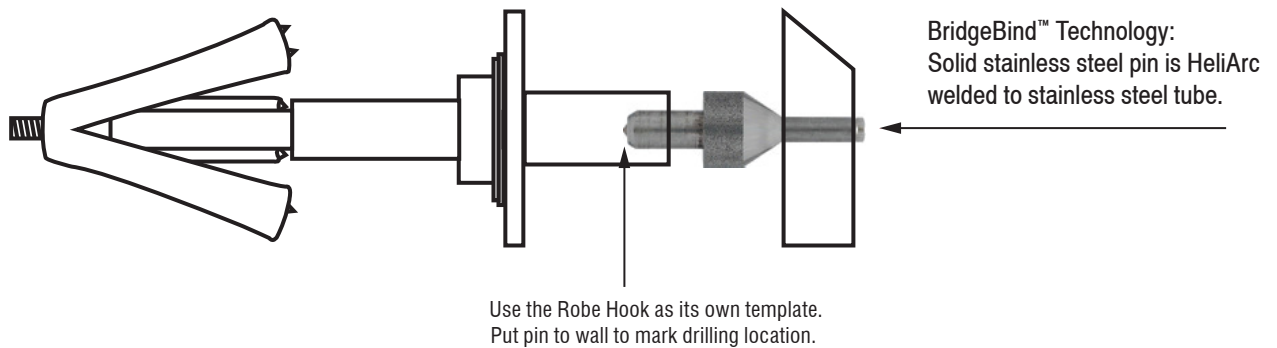
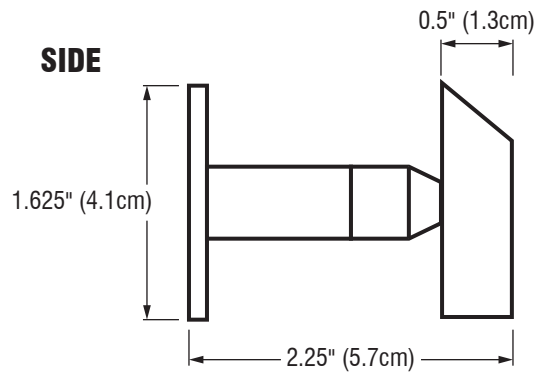
BACK



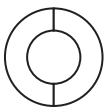
TOP



SIDE



INCLUDED HARDWARE



3M® Waterproof ME Tape x 1



Allen Wrench x 1



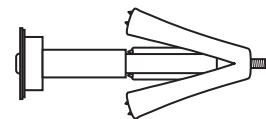
S/S Screw for Blocking x 1



Set Screw x 1

OPTIONAL HARDWARE

(Sold Separately)



Wingits® MASTER Anchor for INFINITE Elegance™
Bath Accessories (MAWME35) x 1