

WINGITS® INFINITE Elegance™

Mitered Double Robe Hook

Model:
WIEDRH

Part Numbers:

WIEDRHPS

Polished Finish

WIEDRHSN

Satin Finish

Stainless steel screws are included to install into adequate structural blocking.



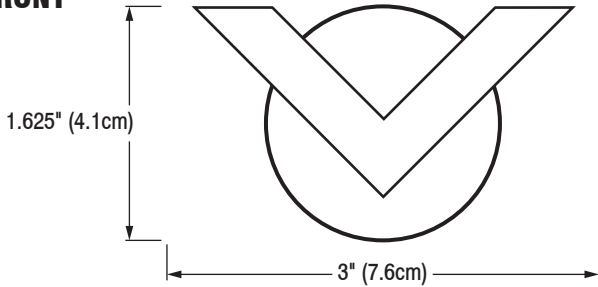
Contemporary design combined with **PATENTED** BridgeBind™ Technology resulting in a Robe Hook with:

- Unparalleled strength
- Beauty
- Functionality
- Durability
- No lines for dirt to collect
(maintenance free)

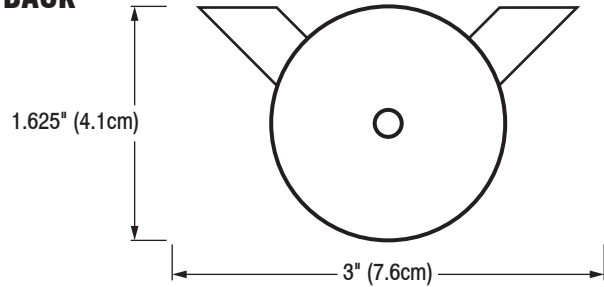
MECHANICAL DATA	
Height: 1.625" (4.1cm)	Weight: 6 oz. (170g)
Width: 3" (7.6cm)	
Depth: 2.125" (5.4cm)	
PRODUCT COMPOSITION	
Entire product is 18/8 (304) stainless steel. Solid caps and pins are HeliArc welded to 18 gauge tube.	
MODALITY	
Use: Wall Installation.	
INSTALLATION	
WINGITS® Stainless Steel Double Robe Hooks are designed to be installed into adequate structural blocking.	
RECOMMENDED INTEGRATION	
It is recommended that WINGITS® Master Anchor (MAWME35) is used with this product.	

WINGITS®

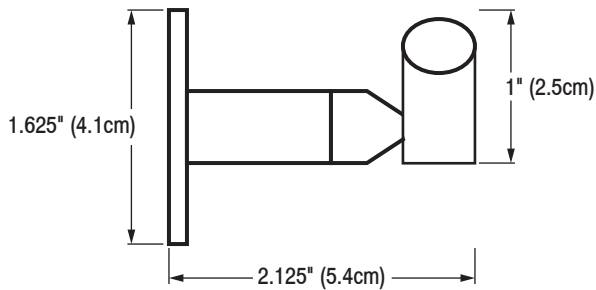
FRONT



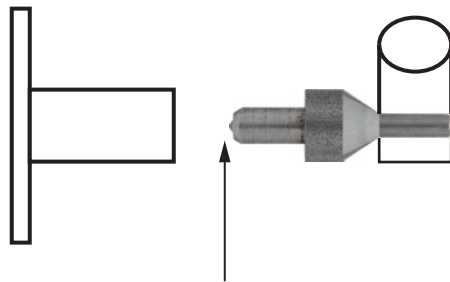
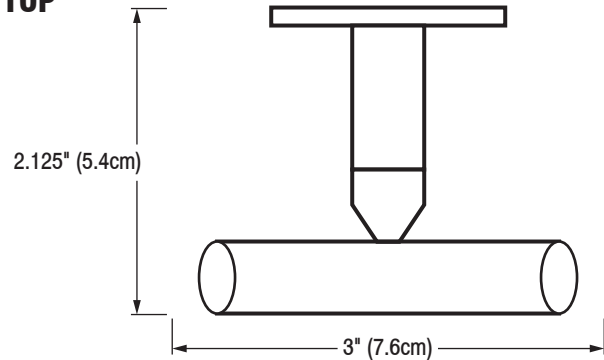
BACK



SIDE



TOP



BridgeBind™ Technology:
Solid stainless steel pin is HeliArc
welded to stainless steel tube.

Use the Robe Hook as its own template.
Put pin to wall to mark drilling location.

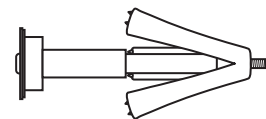
INCLUDED HARDWARE



3M® Waterproof ME Tape x 1 Allen Wrench x 1 S/S Screw for Blocking x 1 Set Screw x 1

OPTIONAL HARDWARE

(Sold Separately)



WingIts® Master Anchor for MODERN Elegance™
Bath Accessories (MAWME35) x 1