

# WINGITS® INFINITE Squared™

## Square Flange Single Robe Hook

**Model:**  
**WITSQSRH**

**Part Numbers:**  
**WITSQSRHPS**      **WITSQSRHSN**  
 Polished Finish      Satin Finish



Contemporary design combines with PATENTED BridgeBind™ Technology resulting in a Robe Hook with:

- Structural Stainless Steel
- Beauty-Functionality-Durability
- No lines for dirt to collect - maintenance free
- Unparalleled strength

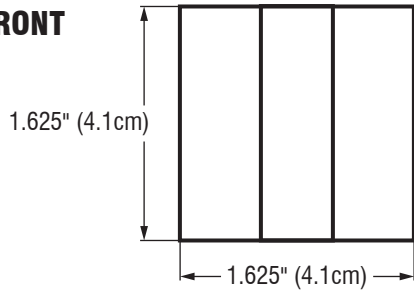
BridgeBind™ Technology is the result of drilling a hole completely through stainless steel tubing, inserting a solid stainless steel pin and HeliArc welding the pin to the far point of the tube; solidifying the pin and tube into one piece creating the ultimate structural bond.

18/8 (304) HeliArc welded stainless steel.

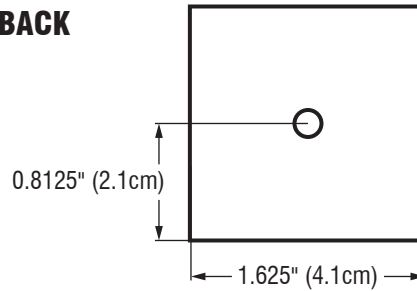
<b>MECHANICAL DATA</b>
<p><b>Height:</b> 1.625" (4.1cm)  <b>Length:</b> 1.625" (4.1cm)  <b>Projection:</b> 2.25" (5.7cm)</p>
<b>PRODUCT COMPOSITION</b>
Entire product is solid 18/8 (304) HeliArc welded stainless steel.
<b>MODALITY</b>
<b>Use:</b> Can be used in vertical or horizontal position.
<b>INSTALLATION</b>
<b>WingIts® INFINITE Squared™</b> Single Robe Hooks are designed to be <b>installed into adequate structural blocking</b> or with optional <b>WingIts® Fastener</b> .
<b>RECOMMENDED INTEGRATION</b>
It is recommended that <b>WingIts® MASTER Anchor™</b> for INFINITE Squared™ Bath Accessories (MAWME35) is used with this product.

# WINGITS®

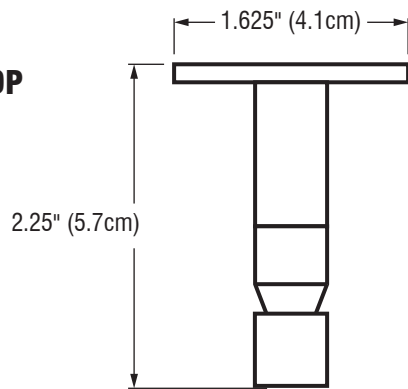
**FRONT**



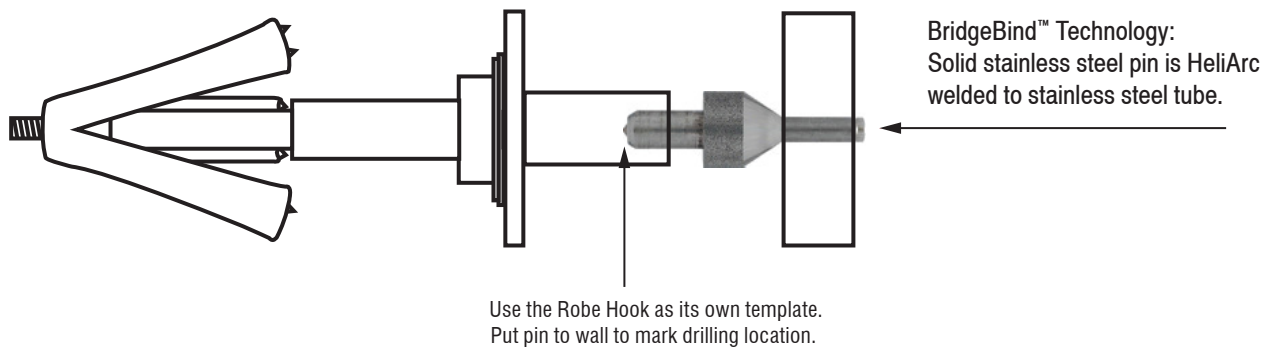
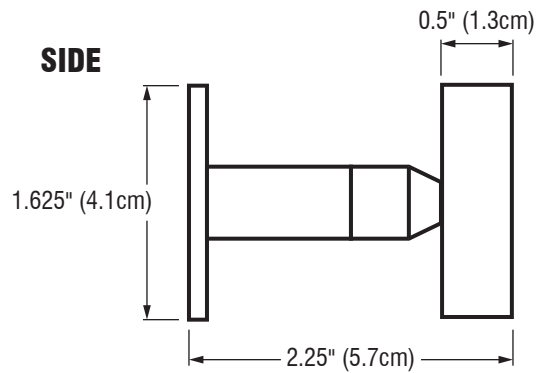
**BACK**



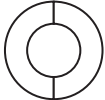
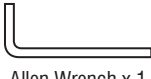


**TOP**



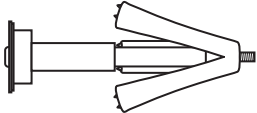
**SIDE**



**INCLUDED HARDWARE**

-   
3M® Waterproof ME Tape x 1
-   
Allen Wrench x 1
-   
S/S Screw for Blocking x 1
-   
Set Screw x 1

**OPTIONAL HARDWARE**  
(Sold Separately)

- 
- Wingits® MASTER Anchor™ for INFINITE Squared™**  
Bath Accessories (MAWME35) x 1