

WINGITS® INFINITE Transitional™

Square Flange Towel Ring with Round Tubing

Model:
WITTRING

Part Numbers:

WITTRINGPS

Polished Finish

WITTRINGSN

Satin Finish



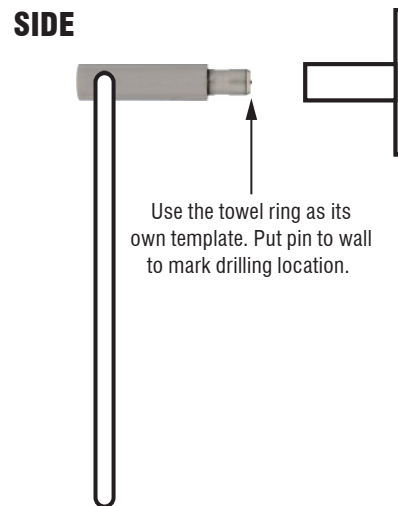
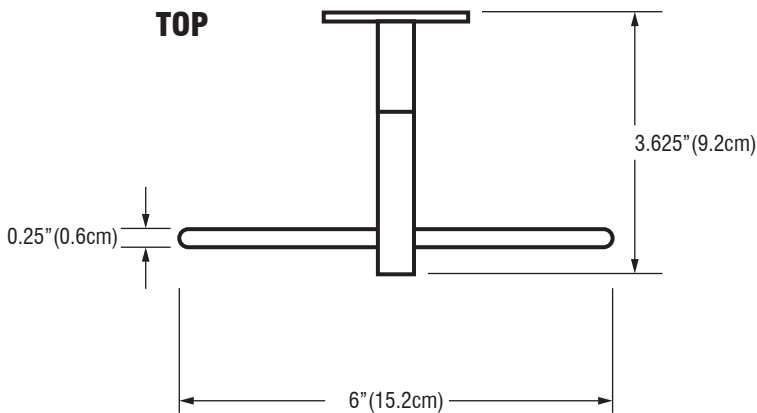
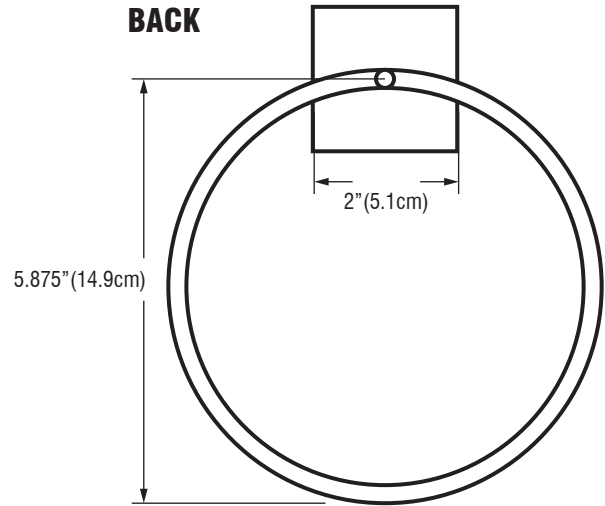
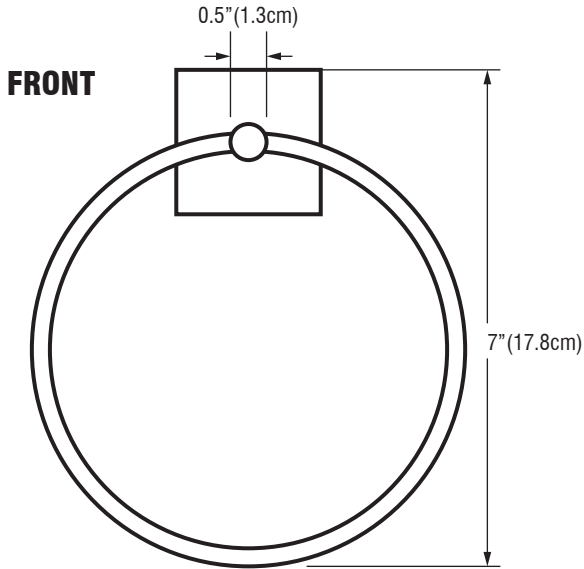
Contemporary design combines with **PATENTED** BridgeBind™ Technology resulting in bathroom accessories with:

- Unparalleled strength
- Beauty
- Functionality
- Durability
- Solid Stainless Steel Ring
- No lines for dirt to collect (maintenance free)

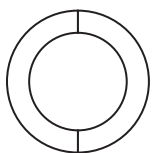
MECHANICAL DATA	
Height: 7" (17.8cm)	Diameter: 6" Ring (15.2cm)
Width: 6" (15.2cm)	
Projection: 3.625" (9.2cm)	
PRODUCT COMPOSITION	
Entire product is 18/8 (304) stainless steel. Stainless steel ring with solid stainless steel stand-offs.	
MODALITY	
Use: Wall Installation.	
INSTALLATION	
WINGITS® INFINITE Transitional™ Towel Rings are designed to be installed into adequate structural blocking.	
RECOMMENDED INTEGRATION	
For the strongest possible installation, it is recommended that WINGITS® Master Anchor for INFINITE Transitional™ Bath Accessories (MAWME35) is used with this product.	

WITTRING(PS)(SN)20141030

WINGITS®



INCLUDED HARDWARE



3M® Waterproof ME Tape x 1



S/S Screw for Blocking x 1



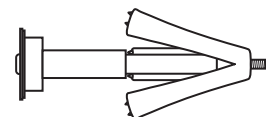
Allen Wrench x 1



Set Screw x 1

OPTIONAL HARDWARE

(Sold Separately)



WingIts® Master Anchor for INFINITE Transitional™
Bath Accessories (MAWME35) x 1