

# WINGITS® MASTER™ Series

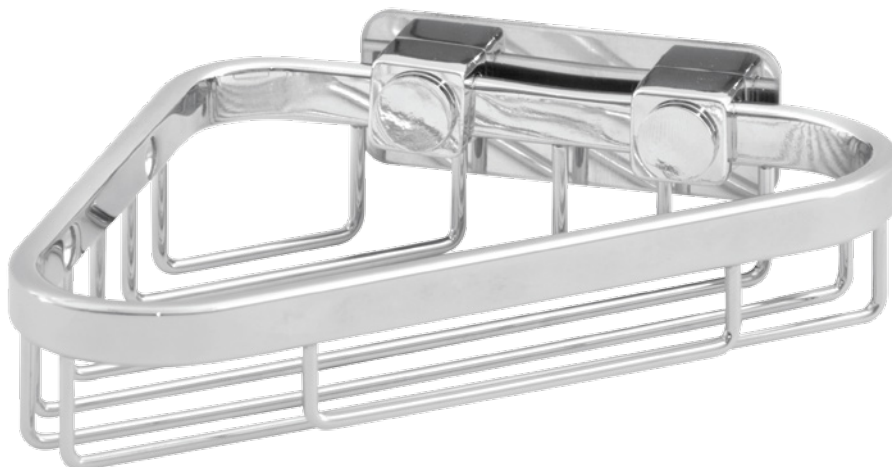
## 6" Wire Corner Basket

**Model:**  
**WCB**

**Part Numbers:**

**WCBPS6**  
6" Shower Basket  
Polished Finish

**WCBSN6**  
6" Shower Basket  
Satin Finish



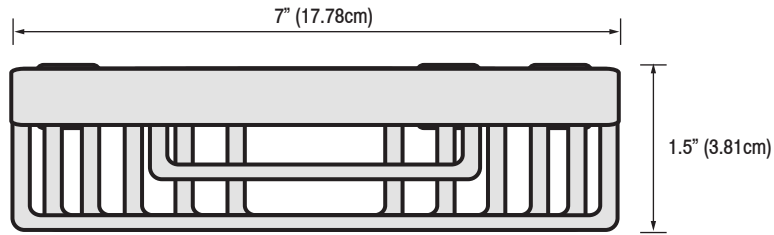
- Structural Stainless Steel
- Beauty-Functionality-Durability
- No lines for dirt to collect - maintenance free
- Unparalleled strength

<b>MECHANICAL DATA</b>
<b>Height:</b> 1.5" (3.81cm)
<b>Length:</b> 6" (15.24cm)
<b>Width:</b> 7" (17.78cm)
<b>Projection:</b> 5" (12.7cm)
<b>PRODUCT COMPOSITION</b>
Entire product is HeliArc welded 18/8 (304) stainless steel.
<b>MODALITY</b>
<b>Use:</b> Wall Installation.
<b>INSTALLATION</b>
<b>WingIts®</b> MASTER™ Basket is designed to be <b>installed into adequate structural blocking</b> or with <b>WingIts®</b> Fasteners (included).
<b>RECOMMENDED INTEGRATION</b>
For the strongest possible installation, it is recommended that <b>WingIts®</b> MASTER Anchor™ for MASTER™ Basket Bath Accessories (MAW35) is used with this product.

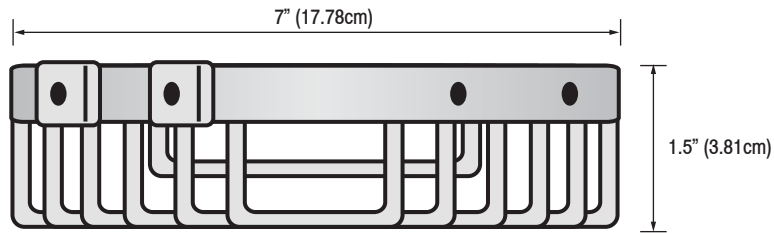
WCB(PS)(SN)6\_SpecSheet\_2015\_12\_08

# WINGITS®

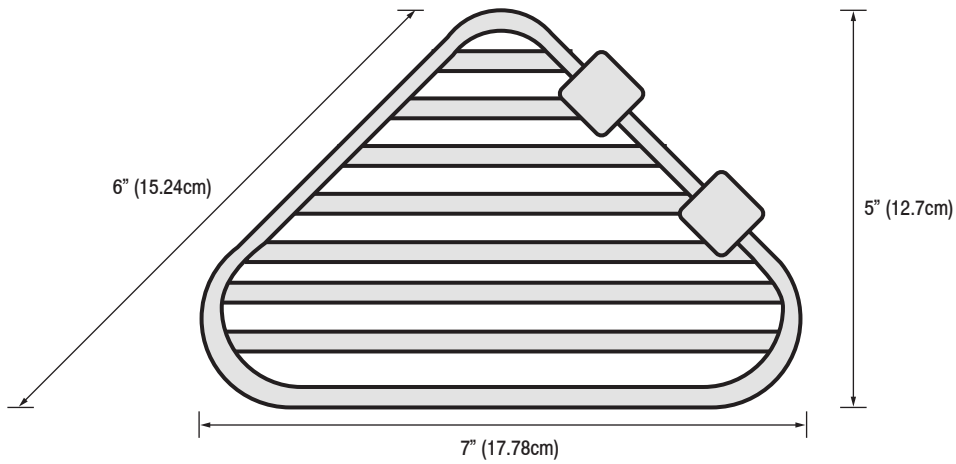
**FRONT**



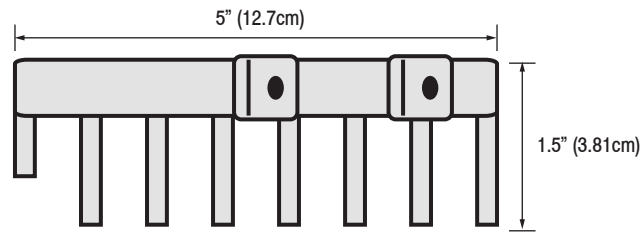
**BACK**



**TOP**



**SIDE**



## INCLUDED HARDWARE



3.25" x 1.25" Wall Guard x 1



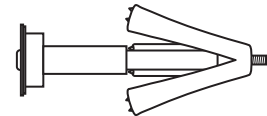
C-Clip with Button x 2



S/S Screw for Blocking x 2



Plastic Anchor x 2  
for Solid Wall



Wingits® MASTER Anchor™ for MASTER™ Basket  
Bath Accessories (MAW35) x 2