

WINGITS® MASTER™ Series

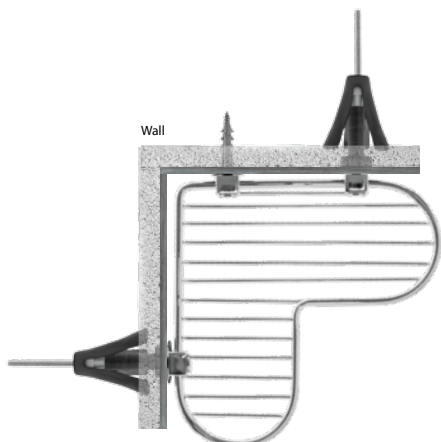
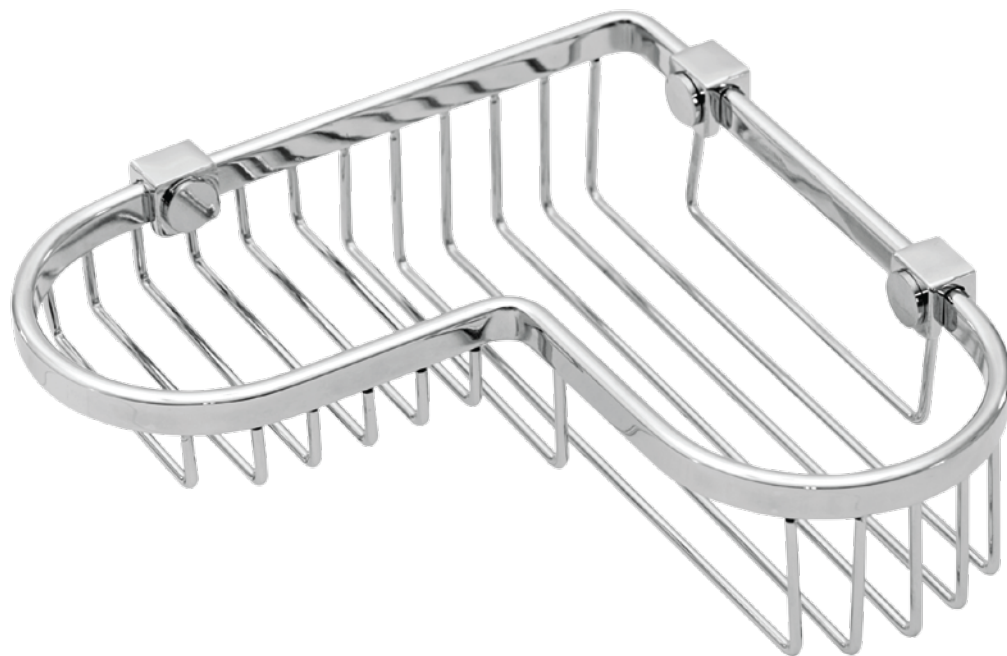
8" Wire Corner Basket

Model:
WCB2

Part Numbers:

WCB2PS8
Polished Finish

WCB2SN8
Satin Finish



Contemporary design combines with structural durability resulting in the World's Strongest Bath Accessories™ which features

- 18/8 (304) HeliArc welded stainless steel
- Polished and triple coated for an unmatched luster
- Unparalleled strength
- Functionality - Durability - Maintenance free

MECHANICAL DATA

Height: 2.3125" (5.9cm)
Width: 8" (20.3cm)
Projection: 8" (20.3cm)

PRODUCT COMPOSITION

Entire product is 18/8 (304) Stainless Steel.

MODALITY

Use: Wall installation

INSTALLATION

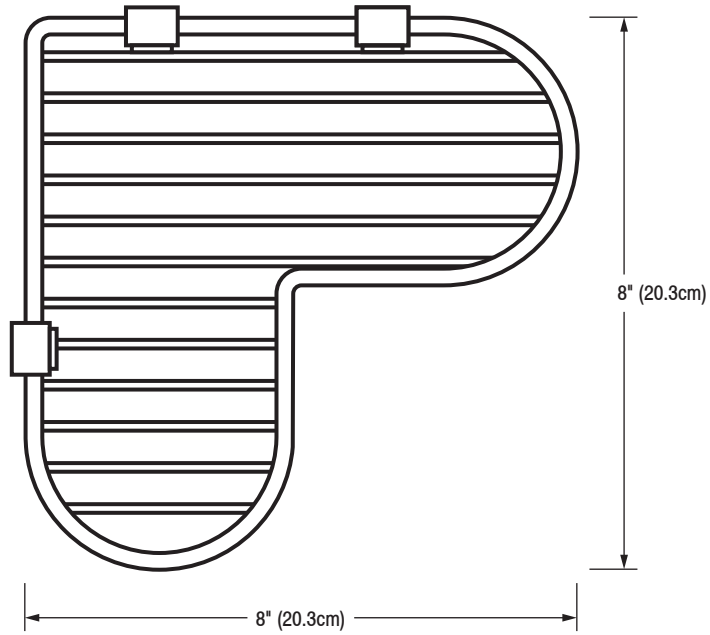
WingIts® MASTER™ Series 8" Wire Corner Baskets are designed to be installed into adequate structural blocking or with WingIts® MASTER Anchors™ Fasteners (MAW35-2).

RECOMMENDED INTEGRATION

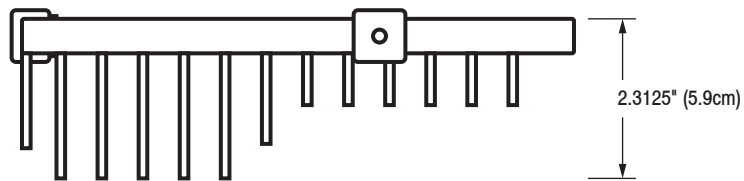
For hollow wall construction, it is recommended that WingIts® MASTER Anchors™ Fasteners (MAW35-2) are used with this product.

WINGITS®

TOP



SIDE



INCLUDED HARDWARE

