

# WINGITS® MASTER Rack

Structural Towel Rack

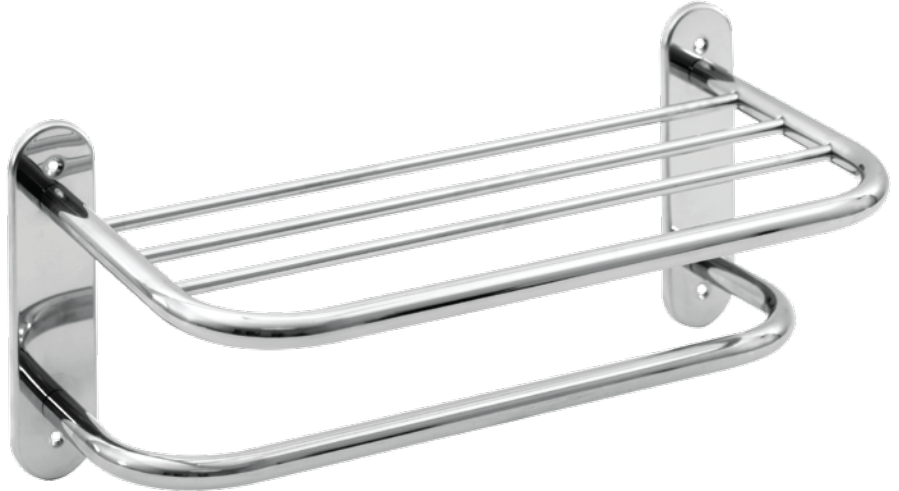
**Model:**  
**WMR**

**WMRBS18**  
18" Polished Finish

**WMRSN18**  
18" Satin Finish

**WMRBS24**  
24" Polished Finish

**WMRSN24**  
24" Satin Finish



Contemporary design combines with structural durability resulting in the World's Strongest Bath Accessories™ which features:

- Made of reinforced Stainless Steel
- Rated up to 100 lbs
- Available in high polished or satin finishes - compliments any bathroom style
- Functionality - durability - maintenance free
- Easy installation - guaranteed to NEVER loosen using WingIts® Fasteners (included)
- Coordinates with other products in the MASTER™ collection



**MECHANICAL DATA**

**Height:** 8.5" (21.6cm)  
**Length:** 18" (45.7cm)  
 24" (61cm)  
**Projection:** 10" (25.4cm)

**PRODUCT COMPOSITION**

Reinforced Stainless Steel.

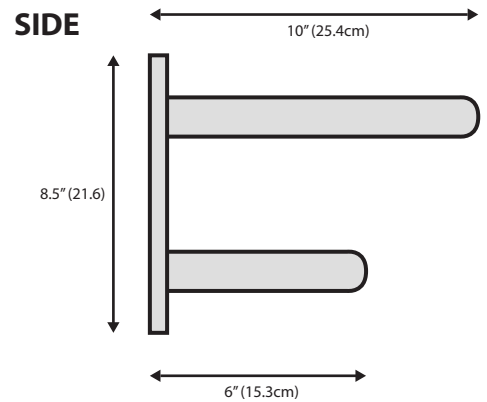
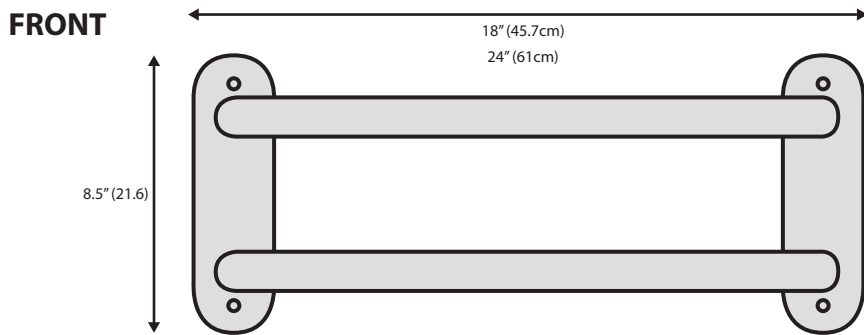
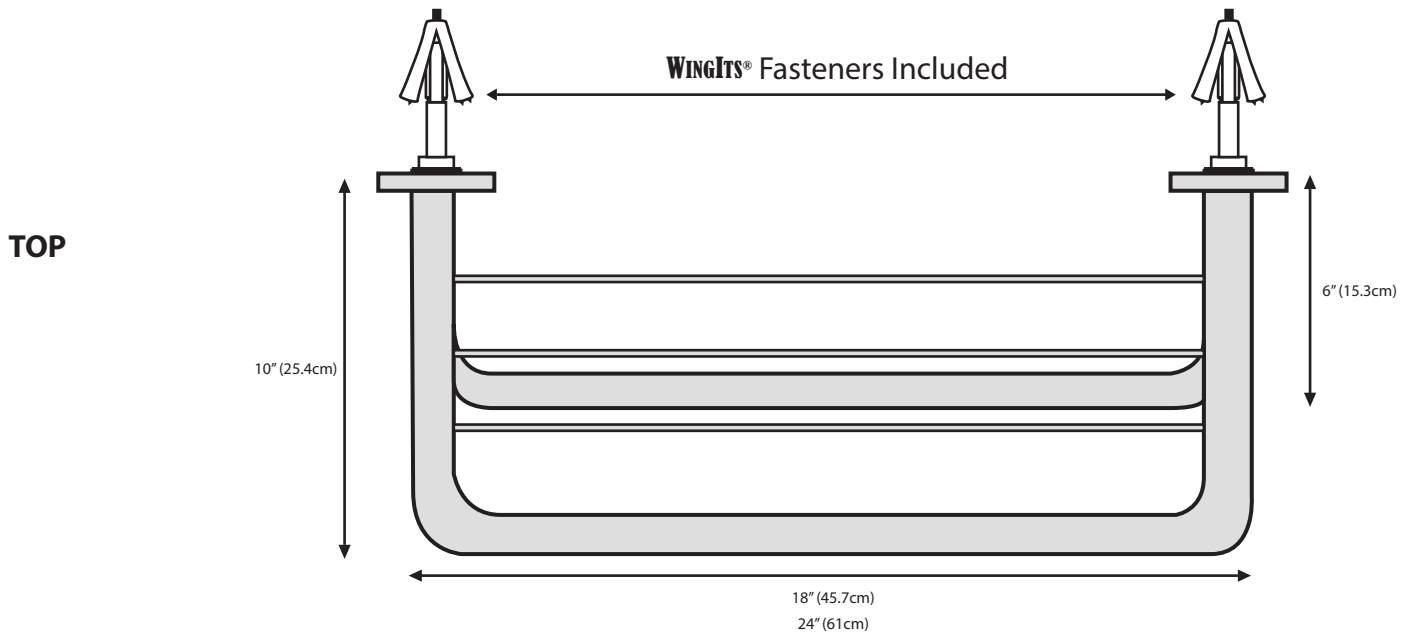
**MODALITY**

**Use:** Hollow wall installation included with Master Anchors

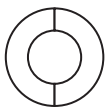
**INSTALLATION**

WINGITS® MASTER™ Towel Racks are designed to be installed into adequate structural blocking or with optional WINGITS® MASTER Anchor™ Fastener (MAW35) for hollow wall construction.

# WINGITS®



## INCLUDED HARDWARE



3M® Waterproof ME Tape x 4



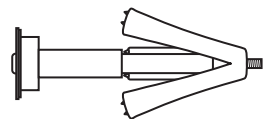
Allen Wrench x 1



S/S Screw for Blocking x 4



Set Screw x 4



WINGITS® Master Anchor for Bath Accessories (MAW35) x 4