

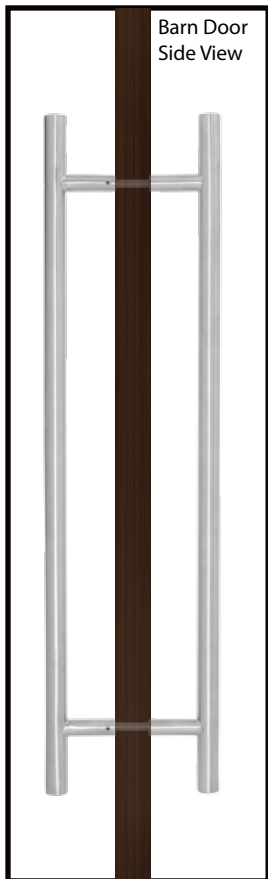
WINGITS® MAX Elegance™

Stainless Steel Barn Door Handle

Model:
WXEBDH

Part Numbers:
WXEBDHPS Polished Finish **WXEBDHSN** Satin Finish

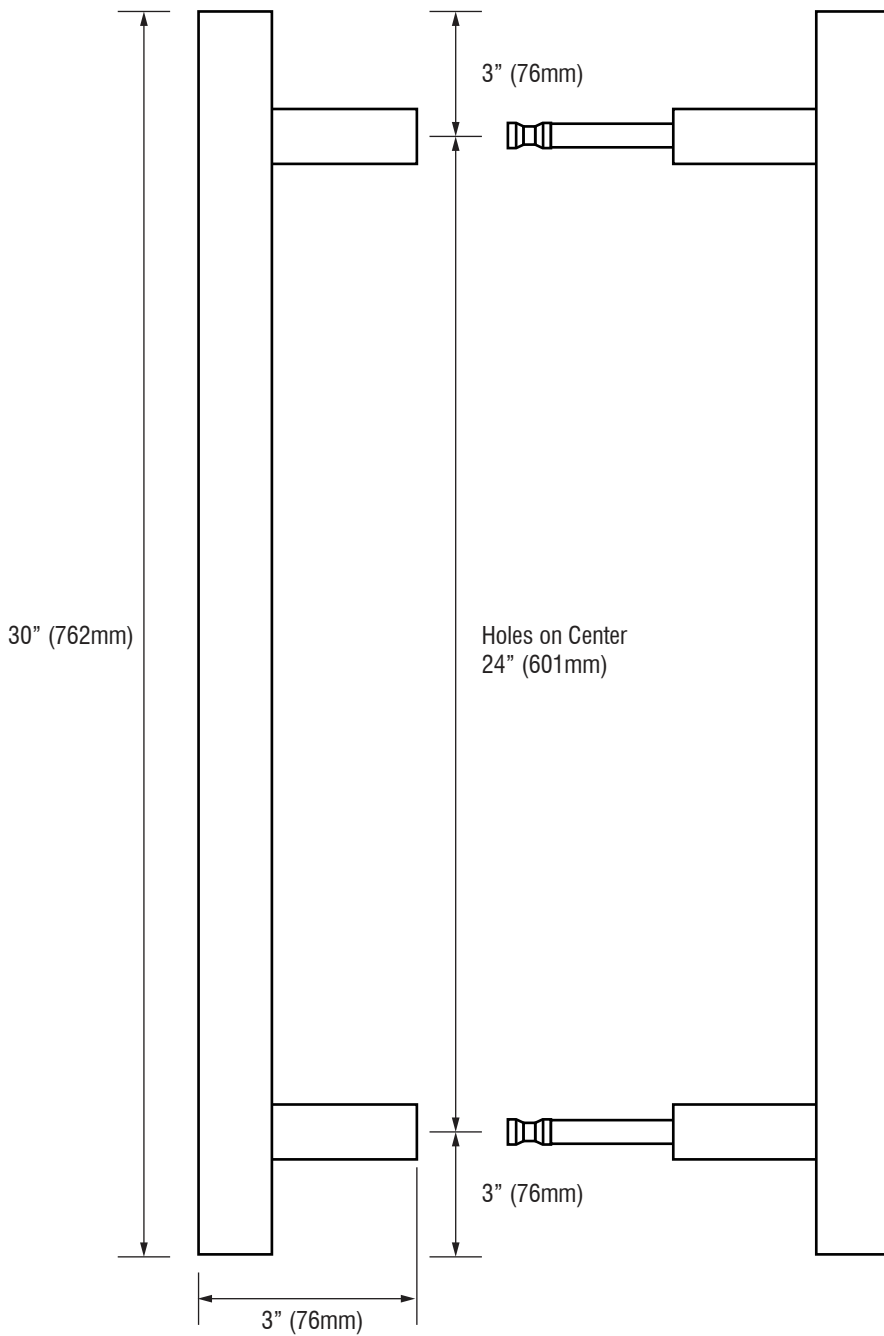
Barn Door Hardware



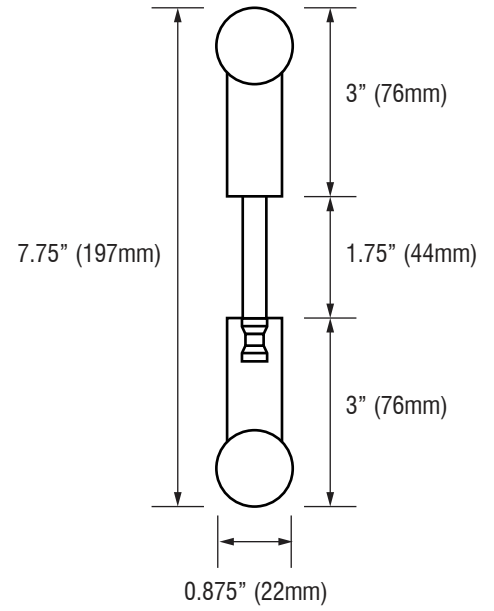
- Made of 18/8 (304) Stainless Steel
- Patented BridgeBind™ Technology - fully HeliArc welded construction
- Available in mirror polished or satin finishes - compliments any bathroom style
- Functionality - durability - maintenance free
- Clean flowing lines through minimalist design
- Coordinates with other products in the MAX Elegance™ collection

MECHANICAL DATA
Height: 30" (762mm)
Width: 0.875" (22mm)
Projection: 3" (76mm)
PRODUCT COMPOSITION
Entire product is 18/8 (304) HeliArc welded Stainless Steel.
MODALITY
Use: Door installation in vertical position.
INSTALLATION
WINGITS® MAX Elegance™ Barn Door handles are designed to be installed into wood panel doors with a 1.75" (44mm) thickness.

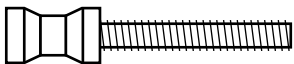
Sides



Top



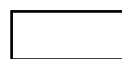
INCLUDED HARDWARE



Thru Bolt x 2



Silicone Washers x 4



Stabilizing Collar x 2



Allen Wrench x 1



Set Screw x 4