

WINGITS® MAX Elegance™

Stainless Steel 24" Slide Bar Assembly Grab Bar and Hand Shower Holder Combo

Model:

WXE

Part Numbers:

WXESBA24PS
Polished Finish

WXESBA24SN
Satin Finish

COMBO UNIT CONSISTS OF THE FOLLOWING:

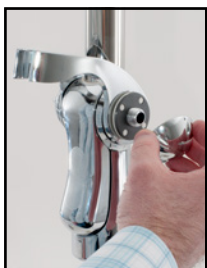
- (1) 24" Grab Bar
- (1) Hand Shower Holder



Contemporary design and PATENTED BridgeBind™ Technology results in a Grab Bar with:

- Unparalleled strength
- Sleek modern appearance
- No lines for dirt to collect - maintenance free
- Grab Bar and removable Hand Shower Holder are ADA Compliant

BridgeBind™ Technology is the result of drilling a hole completely through stainless steel tubing, inserting a solid stainless steel pin and HeliArc welding the pin to the far point of the tube; solidifying the pin and tube into one piece. Creating the ultimate structural bond.

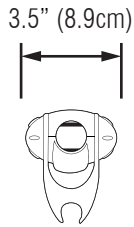


MECHANICAL DATA
Length: 1 Grab Bar at 24" (61cm) Diameter: 1.25" (3.2cm)
PRODUCT COMPOSITION
Grab Bar is 18/8 (304) Stainless Steel, Hand Shower Holder is Acrylonitrile butadiene styrene (thermoplastic).
MODALITY
Use: Wall installation. Load Capability: 800 lbs (362.9kg).
INSTALLATION
WINGITS® MAX Elegance™ Structural Stainless Steel Grab Bars are designed to hold live loads and must be installed into adequate structural blocking or with WINGITS® Grab Bar Fasteners (GBWME40).
CERTIFICATIONS
WINGITS® MAX Elegance™ Structural Stainless Steel Grab Bars meet or exceed applicable requirements of all building codes, ADA Criteria, and 2010 ACAAGard 2009 ANSI standards.

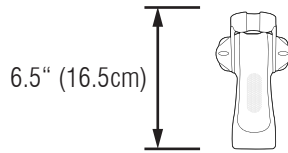
WINGITS®

(1) Hand Shower Holder

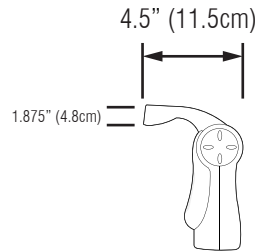
Top



Front

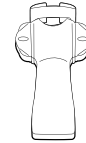


Side



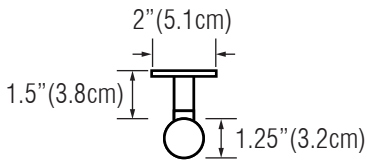
Back

Diameter for tubing is 1.25" (3.2cm)

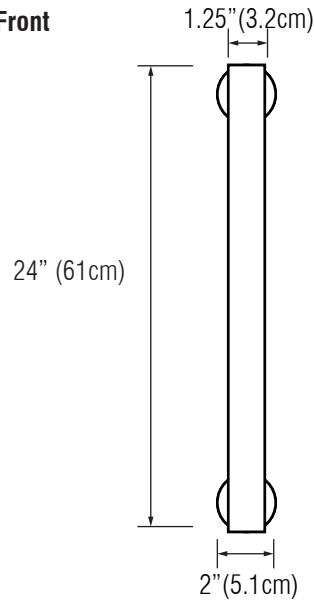


(1) 24" Grab Bar

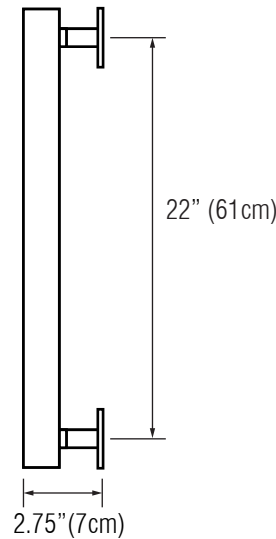
Top



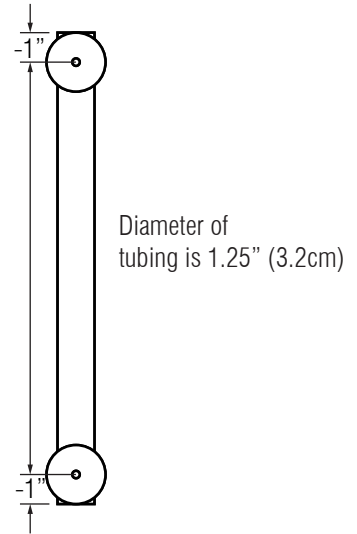
Front



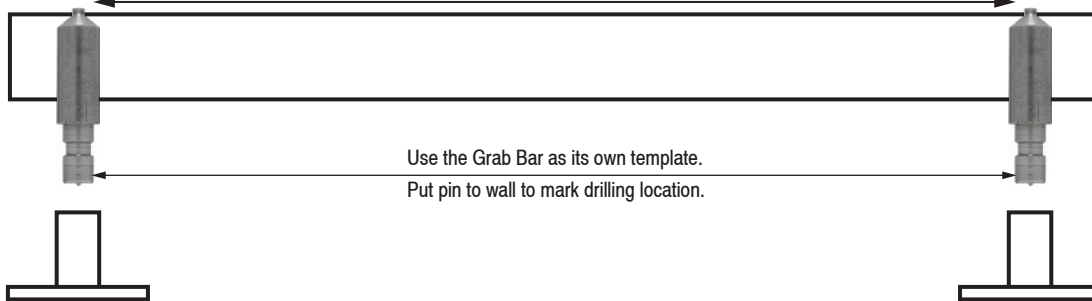
Side



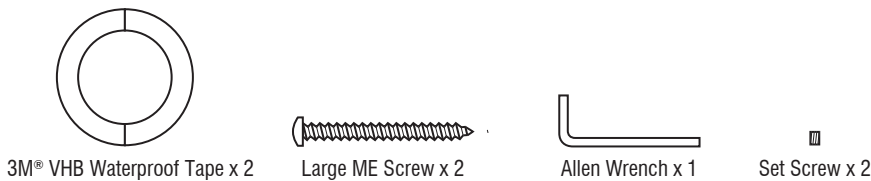
Back



BridgeBind™ Technology: Solid stainless steel pin is HeliArc welded to stainless steel tube.



INCLUDED HARDWARE



OPTIONAL HARDWARE (Sold Separately)

