

WINGITS®

MODERN Elegance™

Stainless Steel Angled Vertical Towel Rack

Model:
WMETRAV

Part Numbers:
WMETRAV1816PS **WMETRAV1816SN**
 18" Wide 18" Wide
 Polished Finish Satin Finish
WMETRAV2416PS **WMETRAV2416SN**
 24" Wide 24" Wide
 Polished Finish Satin Finish



Contemporary design combines with **PATENTED** BridgeBind™ Technology resulting in a Towel Rack with:

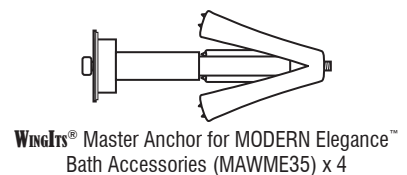
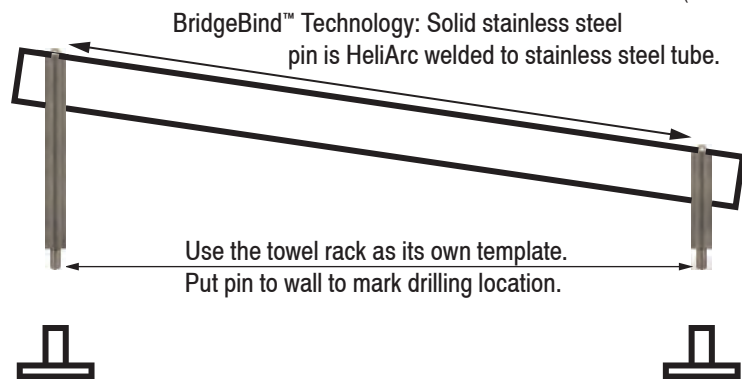
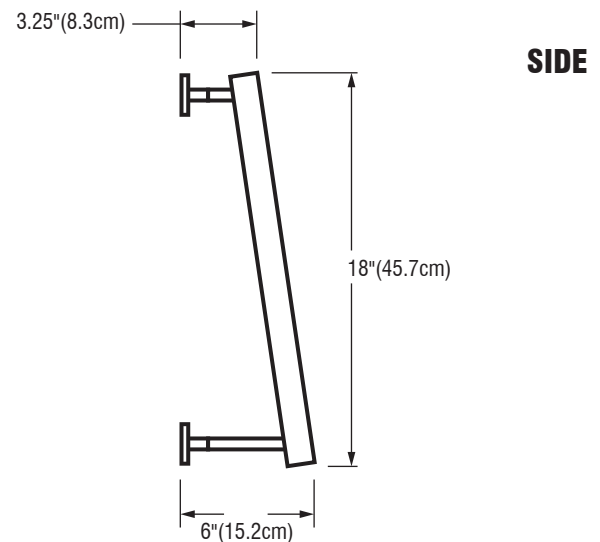
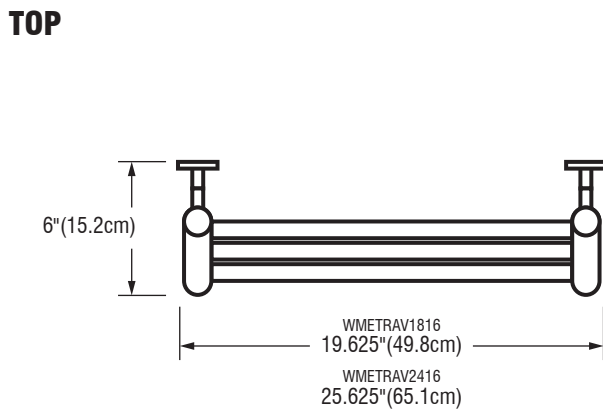
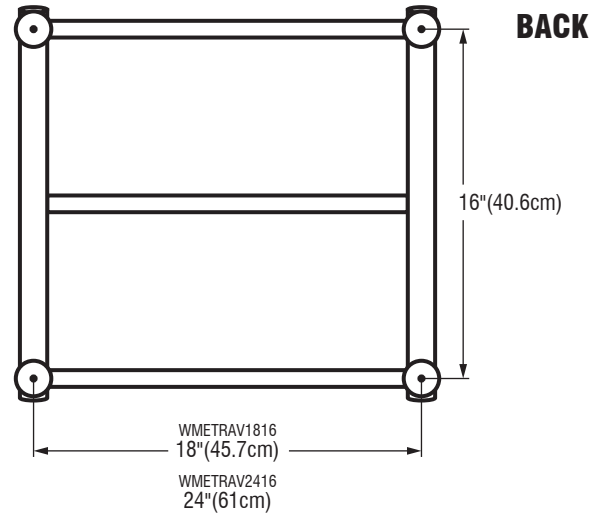
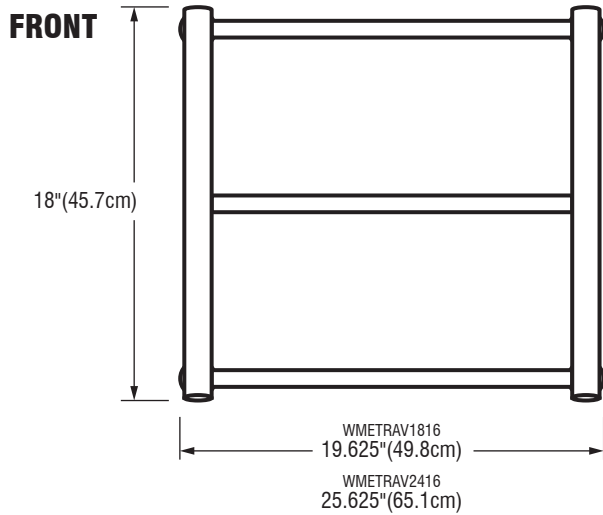
- Structural Stainless Steel
- Beauty-Functionality-Durability
- No lines for dirt to collect - maintenance free
- Unparalleled strength
- 6" projection will not be an encumbrance

BridgeBind™ Technology is the result of drilling a hole completely through stainless steel tubing, inserting a solid stainless steel pin, and HeliArc welding the pin to the far point of the tube; solidifying the pin and tube into one piece. Creating the ultimate structural bond.

MECHANICAL DATA	
Height: 18" (45.7cm)	Diameter: 1.25" (3.2cm) vertical bars
Width: See product part number for width.	
Projection: 6" (15.2cm)	
PRODUCT COMPOSITION	
Entire product is 18/8 (304) stainless steel. Solid caps and pins are HeliArc welded to 18 gauge tube.	
MODALITY	
Use: Wall installation of Angled Towel Rack to not exceed 6" projection (not an encumbrance).	
INSTALLATION	
WingIts® MODERN Elegance™ Stainless Steel Angled Vertical Towel Racks are designed to be installed into adequate structural blocking or with the included WingIts® Master Anchor Fasteners for MODERN Elegance™ Bath Accessories (MAWME35).	
OPTIONS	
For a towel rack that does not impede (4" projection), WingIts® also offers a MODERN Elegance™ Stainless Steel Vertical Towel Rack option (WMETRV).	
RECOMMENDED INTEGRATION	
For hollow wall construction, it is recommended that the included WingIts® Master Anchor Fasteners for MODERN Elegance™ Bath Accessories (MAWME35) are used with this product. See Fastener instructions for applications.	

20140819_rev6

WINGITS®



INCLUDED HARDWARE
Comes with 4 FREE WingIts® Fasteners.
The World's Strongest Fasteners™
for Hollow Wall Construction