

# WINGITS® MODERN Elegance™

Glass Mounted Stainless Steel Double Robe Hook

**Model:**  
**WMEDRHGM**

**Part Numbers:**

**WMEDRHGMPS**

Glass Mounted  
Polished Finish

**WMEDRHGMSN**

Glass Mounted  
Satin Finish



Contemporary design combines with **PATENTED** BridgeBind™ Technology resulting in a Robe Hook with:

- Structural Stainless Steel
- Beauty-Functionality-Durability
- No lines for dirt to collect - maintenance free
- Unparalleled strength

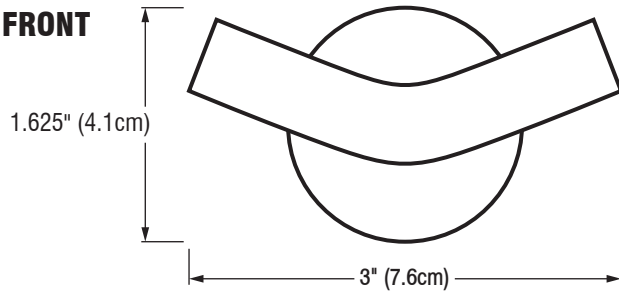
BridgeBind™ Technology is the result of drilling a hole completely through stainless steel tubing, inserting a solid stainless steel pin, and HeliArc Welding the pin to the far point of the tube; solidifying the pin and tube into one piece. Creating the ultimate structural bond.

<b>MECHANICAL DATA</b>
<p><b>Height:</b> 1.625" (4.1cm)  <b>Width:</b> 3" (7.6cm)  <b>Projection:</b> 2.125" (5.4cm) from wall surface</p>
<b>PRODUCT COMPOSITION</b>
<p>Entire product is solid 18/8 (304) HeliArc welded stainless steel.</p>
<b>MODALITY</b>
<p><b>Use:</b> Glass installation.</p>
<b>INSTALLATION</b>
<p>MODERN Elegance™ Glass Mounted Stainless Steel Robe Hooks are designed to be installed into glazing and other panels from 0.25"-0.50" (6-13mm) thickness by placing one of the silicone washers on each side of glazing prior to tightening the Robe Hook.</p>

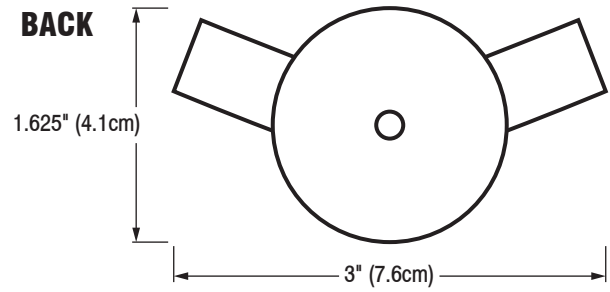
20140819\_rev4

# WINGITS®

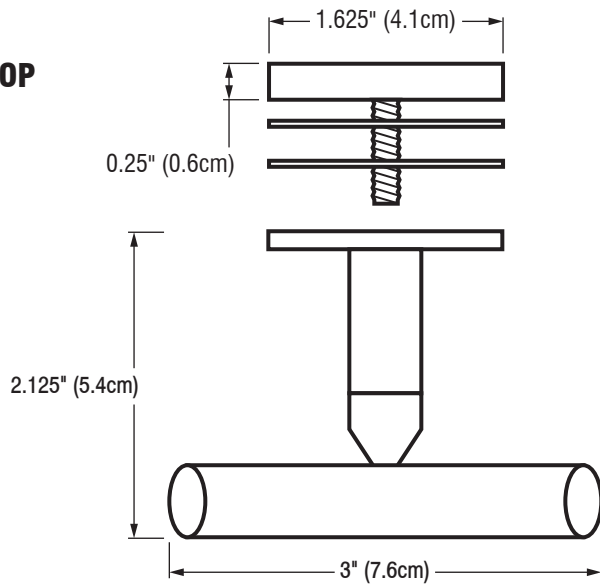
**FRONT**



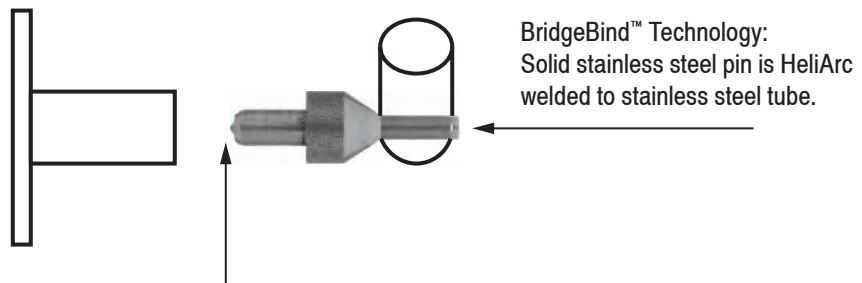
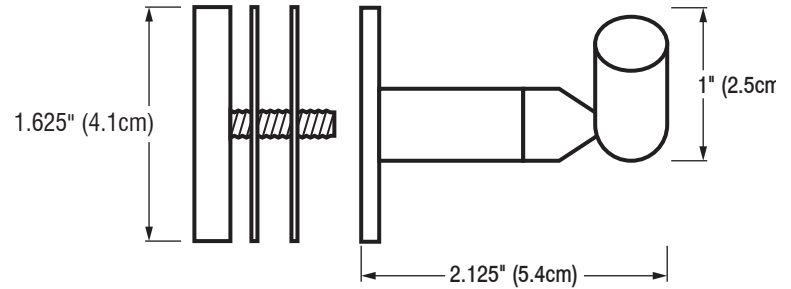
**BACK**



**TOP**



**SIDE**



Use the Robe Hook as its own template.  
Put pin to wall to mark drilling location.

## INCLUDED HARDWARE

