

WINGITS® MODERN Elegance™

Stainless Steel Single Button Towel Hook

Model:
WMESBRH

Part Numbers:
WMESBRHPS Polished Finish
WMESBRHSN Satin Finish



Contemporary design combines with **PATENTED** BridgeBind™ Technology resulting in a Towel Hook with:

- Unparalleled strength
- Beauty-Functionality-Durability
- No lines for dirt to collect (maintenance free)

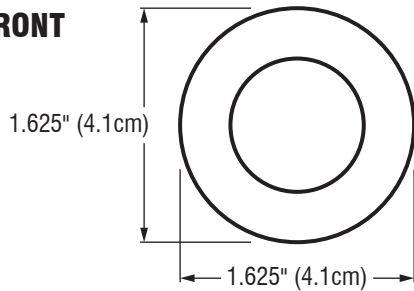
BridgeBind™ Technology is the result of drilling a hole completely through stainless steel tubing, inserting a solid stainless steel pin, and HeliArc Welding the pin to the far point of the tube; solidifying the pin and tube into one piece. Creating the ultimate structural bond.

MECHANICAL DATA
Height: 1.625" (4.1cm) Length: 1.625" (4.1cm) Projection: 2" (5.08cm)
PRODUCT COMPOSITION
Entire product is solid 18/8 (304) HeliArc welded stainless steel.
MODALITY
Use: Can be used in any position.
INSTALLATION
WingIts® Stainless Steel Single Button Towel Hooks are designed to be installed into adequate structural blocking or with optional WingIts® Fastener.
RECOMMENDED INTEGRATION
It is recommended that WingIts® Master Anchor for MODERN Elegance™ Bath Accessories (MAWME35) is used with this product.

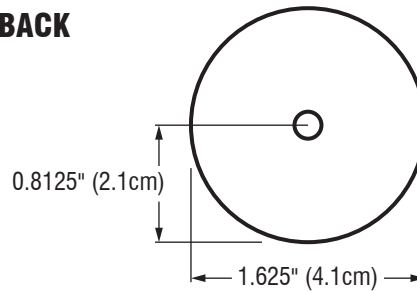
WMESBRH_SpecSheet_20150615

WINGITS®

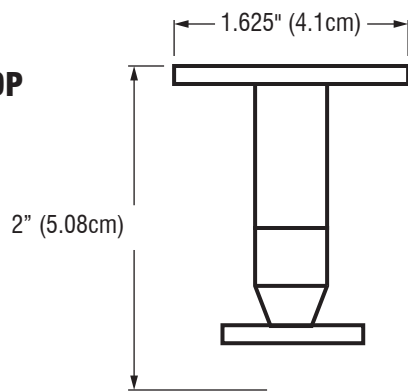
FRONT



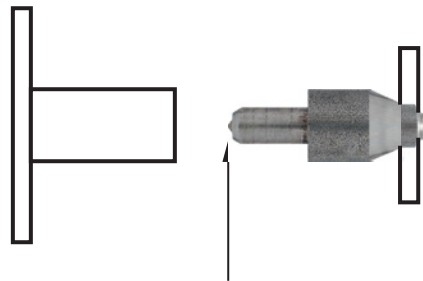
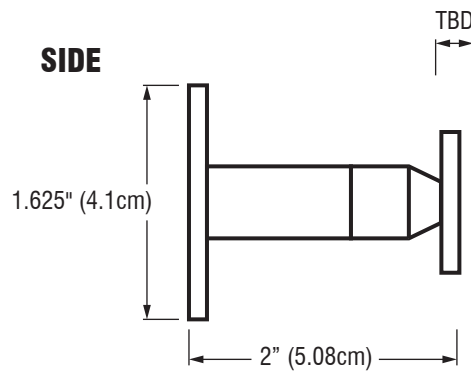
BACK



TOP



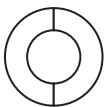
SIDE



Use the Towel Hook as its own template.
Put pin to wall to mark drilling location.

BridgeBind™ Technology:
Solid stainless steel pin is HeliArc
welded thru solid stainless steel rod.

INCLUDED HARDWARE



3M® Waterproof ME Tape x 1



Allen Wrench x 1



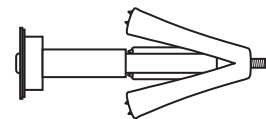
S/S Screw for Blocking x 1



Set Screw x 1

OPTIONAL HARDWARE

(Sold Separately)



WingIts® Master Anchor for MODERN Elegance™
Bath Accessories (MAWME35) x 1