

WINGITS® MODERN Elegance™

Stainless Steel Hair Dryer Holder

Model:
WMEHDH

Part Numbers:
WMEHDHPS **WMEHDHSN**
 Polished Finish Satin Finish



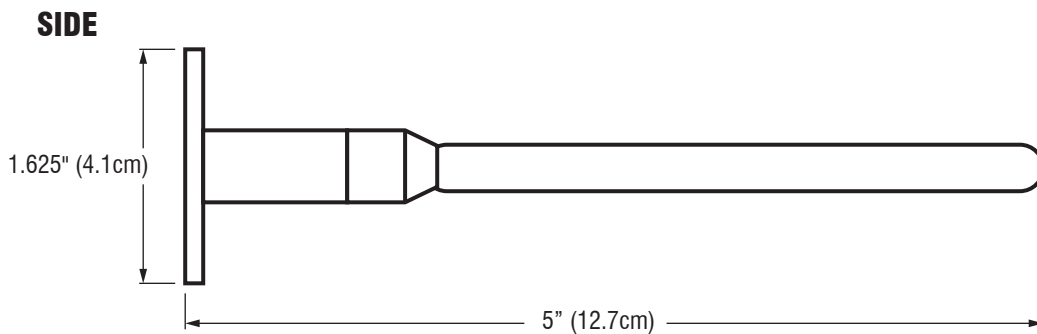
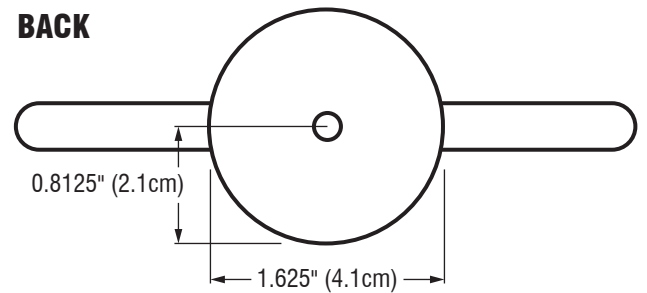
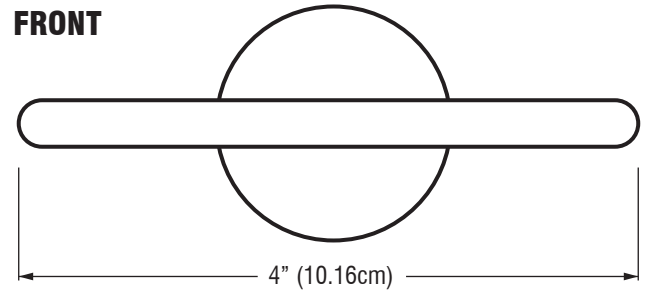
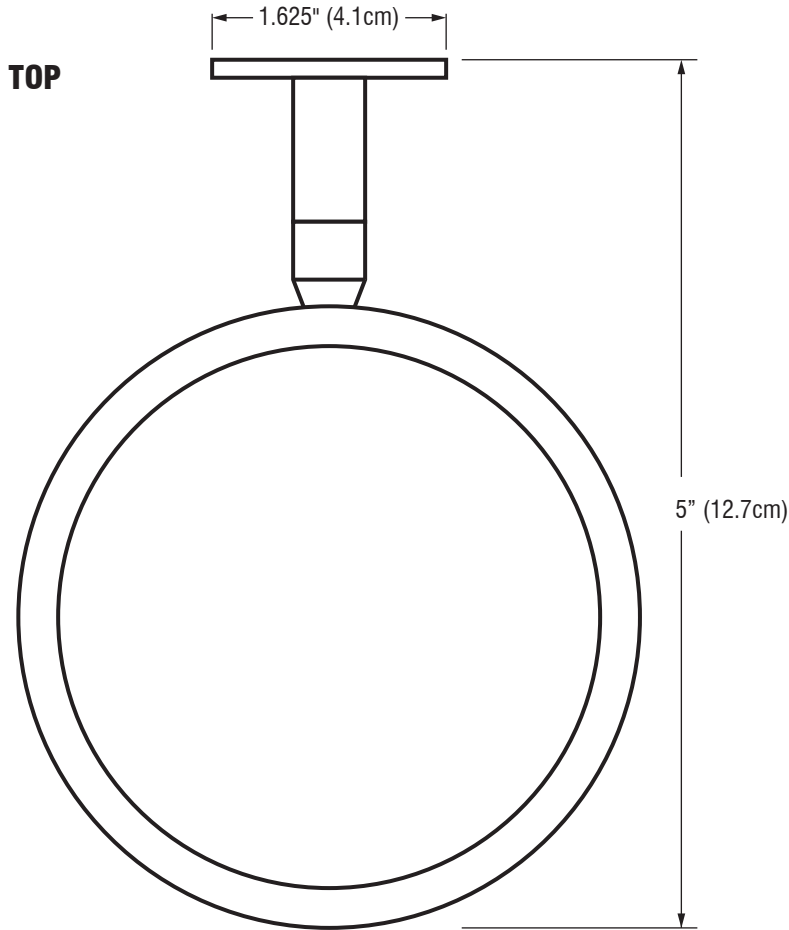
Contemporary design combines with structural durability resulting in a Hair Dryer Holder with:

- Structural Stainless Steel
- Beauty-Functionality-Durability
- No lines for dirt to collect - maintenance free
- Unparalleled strength

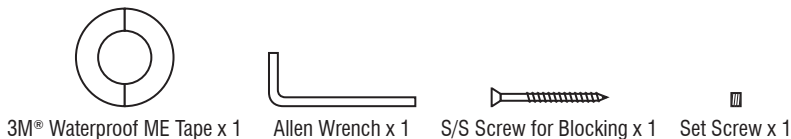
18/8 (304) HeliArc welded stainless steel.

MECHANICAL DATA
<p>Height: 1.625" (4.1cm) Length: 4" (10.16cm) Projection: 5" (12.7cm)</p>
PRODUCT COMPOSITION
Entire product is solid 18/8 (304) HeliArc welded stainless steel.
MODALITY
Use: Must be used in horizontal position.
INSTALLATION
WingIts® MODERN Elegance™ Hair Dryer Holders are designed to be installed into adequate structural blocking or with optional WingIts® Fastener .
RECOMMENDED INTEGRATION
It is recommended that WingIts® MASTER Anchor™ for MODERN Elegance™ Bath Accessories (MAWME35) is used with this product.

WINGITS®



INCLUDED HARDWARE



OPTIONAL HARDWARE
(Sold Separately)

