

# WINGITS® MODERN Elegance™

## Stainless Steel Single Button Robe Hook Glass Mount

**Model:**  
**WMESBRHGM**

**Part Numbers:**  
**WMESBRHGMPS** Polished Finish  
**WMESBRHGMSN** Satin Finish



Contemporary design combines with **PATENTED** BridgeBind™ Technology resulting in a Robe Hook with:

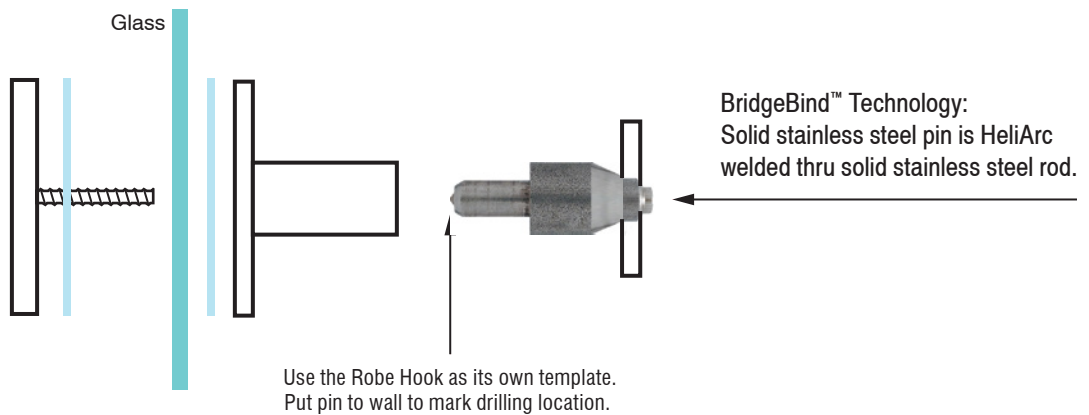
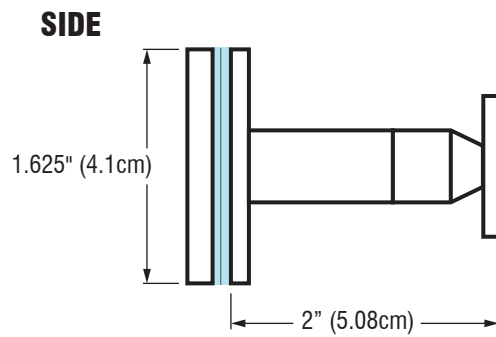
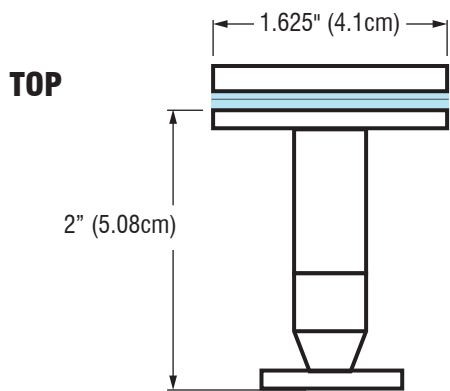
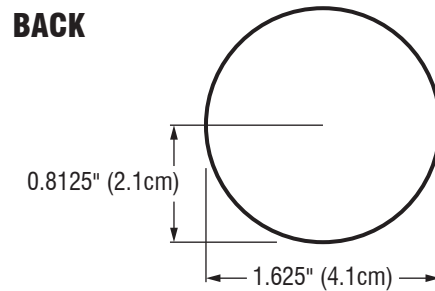
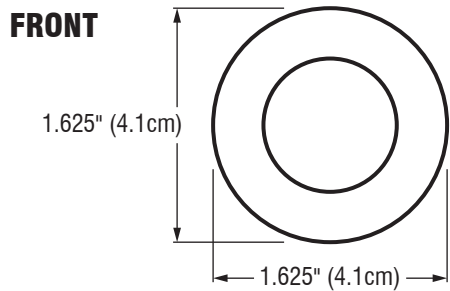
- Unparalleled strength
- Beauty-Functionality-Durability
- No lines for dirt to collect  
(maintenance free)

BridgeBind™ Technology is the result of drilling a hole completely through stainless steel tubing, inserting a solid stainless steel pin, and HeliArc Welding the pin to the far point of the tube; solidifying the pin and tube into one piece. Creating the ultimate structural bond.

<b>MECHANICAL DATA</b>
<b>Height:</b> 1.625" (4.1cm) <b>Length:</b> 1.625" (4.1cm) <b>Projection:</b> 2" (5.08cm)
<b>PRODUCT COMPOSITION</b>
Entire product is solid 18/8 (304) HeliArc welded stainless steel.
<b>MODALITY</b>
<b>Use:</b> Glass Panel Installation.
<b>INSTALLATION</b>
<b>WingIts®</b> MODERN Elegance™ Glass Mount Robe Hooks are designed to be installed into glazing and other panels from 0.25"-0.50" (6mm-13mm) thickness by placing one of the silicone washer on each side of glazing prior to tightening the robe hook. Drill hole to a diameter of 0.25".
<b>RECOMMENDED INTEGRATION</b>
<b>WingIts®</b> MODERN Elegance™ Glass Mounted Robe Hooks are designed to match all MODERN Elegance™ Bath Accessories.

WMESBRHGM(PS)(SN)\_SpecSheet\_2015\_07\_02

# WINGITS®



## INCLUDED HARDWARE

