

WINGITS® MODERN Elegance™

Stainless Steel Single Robe Hook

Model:
WMESRH

Part Numbers:
WMESRHPS Polished Finish
WMESRHSN Satin Finish



Contemporary design combines with **PATENTED** BridgeBind™ Technology resulting in a Robe Hook Holder with:

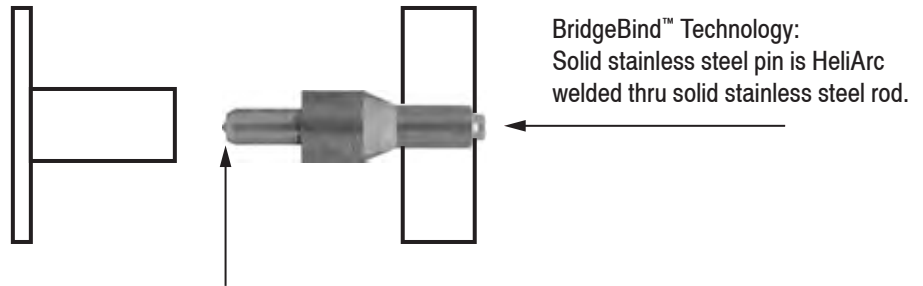
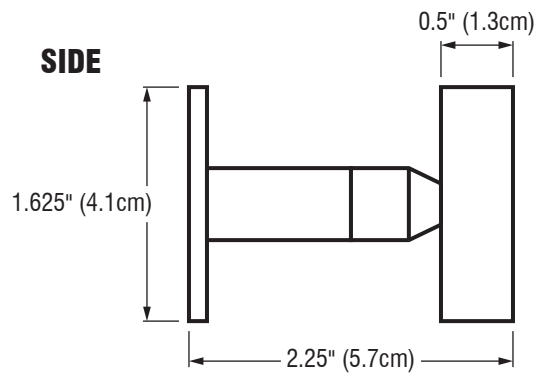
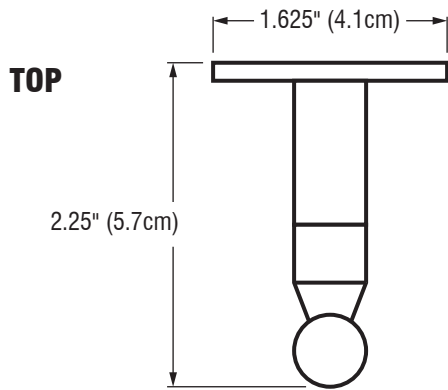
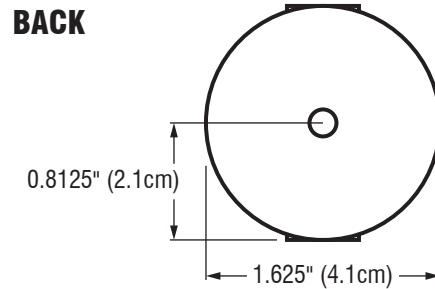
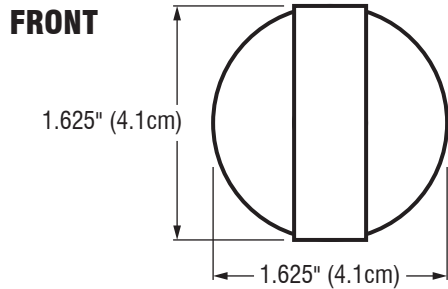
- Structural Stainless Steel
- Beauty-Functionality-Durability
- No lines for dirt to collect - maintenance free
- Unparalleled strength

BridgeBind™ Technology is the result of drilling a hole completely through stainless steel tubing, inserting a solid stainless steel pin, and HeliArc Welding the pin to the far point of the tube; solidifying the pin and tube into one piece. Creating the ultimate structural bond.

MECHANICAL DATA
Height: 1.625" (4.1cm) Width: 1.625" (4.1cm) Depth: 2.25" (5.7cm)
PRODUCT COMPOSITION
Entire product is solid 18/8 (304) HeliArc welded stainless steel.
MODALITY
Use: Can be used in horizontal or vertical position.
INSTALLATION
WingIts® Stainless Steel Single Robe Hooks are designed to be installed into adequate structural blocking or with optional WingIts® Fastener.
RECOMMENDED INTEGRATION
It is recommended that WingIts® Master Anchor for MODERN Elegance™ Bath Accessories (MAWME35) is used with this product.

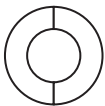
20140819_rev5

WINGITS®



Use the Robe Hook as its own template. Put pin to wall to mark drilling location.

INCLUDED HARDWARE



3M® Waterproof ME Tape x 1



Allen Wrench x 1



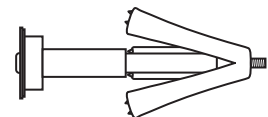
S/S Screw for Blocking x 1



Set Screw x 1

OPTIONAL HARDWARE

(Sold Separately)



Wingits® Master Anchor for MODERN Elegance™ Bath Accessories (MAWME35) x 1