

WINGITS® MODERN Elegance™

Structural 18/8 Stainless Steel Towel Bar

Model: WMETB

Part Numbers:

| | |
|---|--------------------------------------|
| WMETBPS6 6" Polished Finish | WMETBSN6 6" Satin Finish |
| WMETBPS12 12" Polished Finish | WMETBSN12 12" Satin Finish |
| WMETBPS18 18" Polished Finish | WMETBSN18 18" Satin Finish |
| WMETBPS24 24" Polished Finish | WMETBSN24 24" Satin Finish |
| WMETBPS30 30" Polished Finish | WMETBSN30 30" Satin Finish |
| WMETBPS36 36" Polished Finish | WMETBSN36 36" Satin Finish |



Contemporary design combines with **PATENTED** BridgeBind™ Technology resulting in a Towel Bar with:

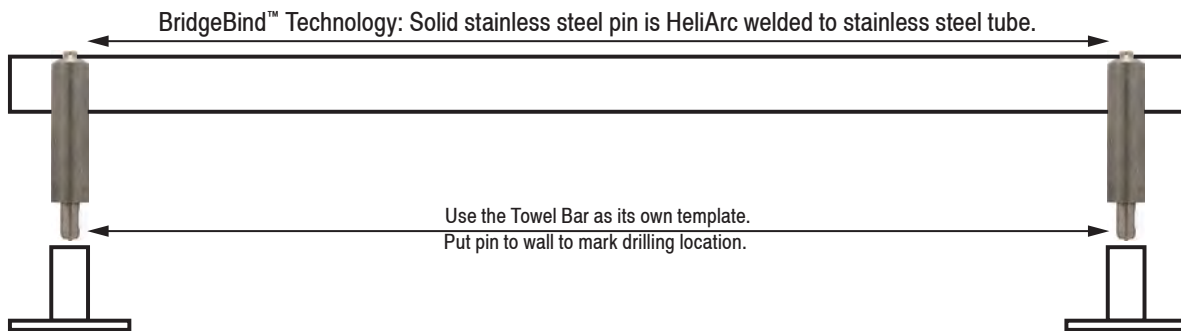
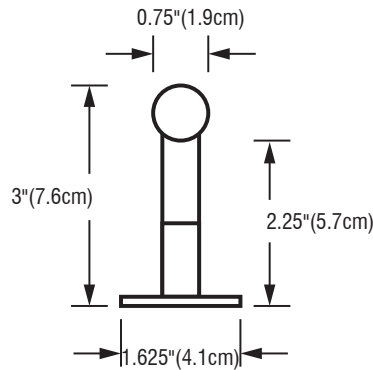
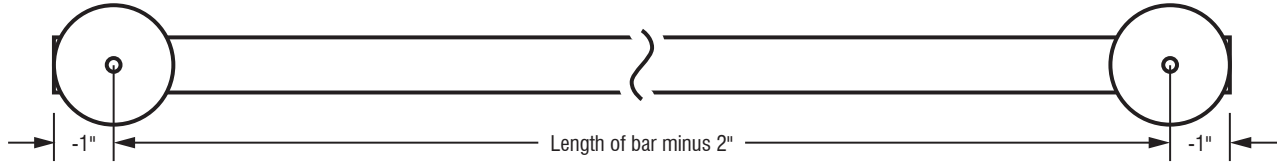
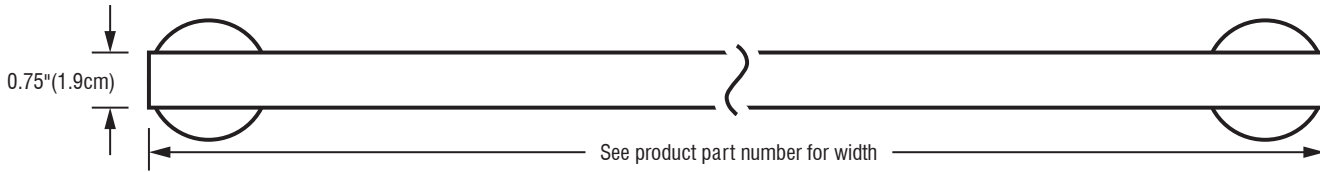
- Structural Stainless Steel
- Beauty-Functionality-Durability
- No lines for dirt to collect - maintenance free
- Unparalleled strength

BridgeBind™ Technology is the result of drilling a hole completely through stainless steel tubing, inserting a solid stainless steel pin, and HeliArc welding the pin to the far point of the tube; solidifying the pin and tube into one piece. Creating the ultimate structural bond.

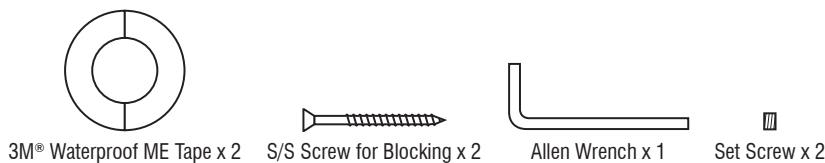
| | |
|---|---|
| MECHANICAL DATA | |
| Width: See product part number for width. Complete length of Towel Bar is usable surface. | |
| Projection: 3" (7.6cm) | |
| PRODUCT COMPOSITION | |
| Entire product is 18/8 (304) stainless steel. Solid caps and pins are HeliArc welded to 18 gauge tube. | |
| MODALITY | |
| Use: Wall Installation. | Load Capability: 200 lbs. (90.7kg) |
| INSTALLATION | |
| WingIts® MODERN Elegance™ Structural Stainless Steel Towel Bars are designed to be installed into adequate structural blocking or with WingIts® Master Anchor Fasteners for MODERN Elegance™ Bath Accessories (MAWME35). | |
| RECOMMENDED INTEGRATION | |
| For hollow wall construction, it is recommended that WingIts® Master Anchor Fasteners for MODERN Elegance™ Bath Accessories (MAWME35) are used with this product. See Fastener instructions for applications. | |

WMETB(PS)(SN)_SPECSHEET_20141015

WINGITS®



INCLUDED HARDWARE



OPTIONAL HARDWARE (Sold Separately)

