

WINGITS® MODERN Elegance™

Towel Ring

Model:
WMETRING

Part Numbers:
WMETRINGS Polished Finish
WMETRINGSN Satin Finish



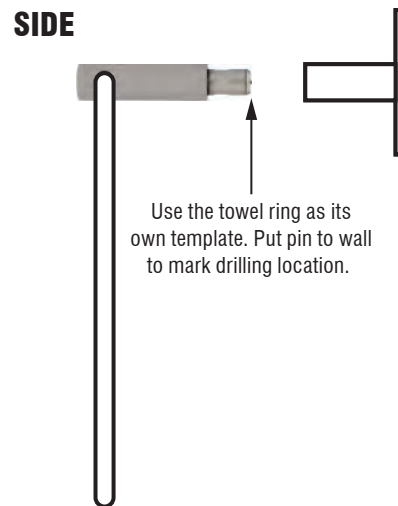
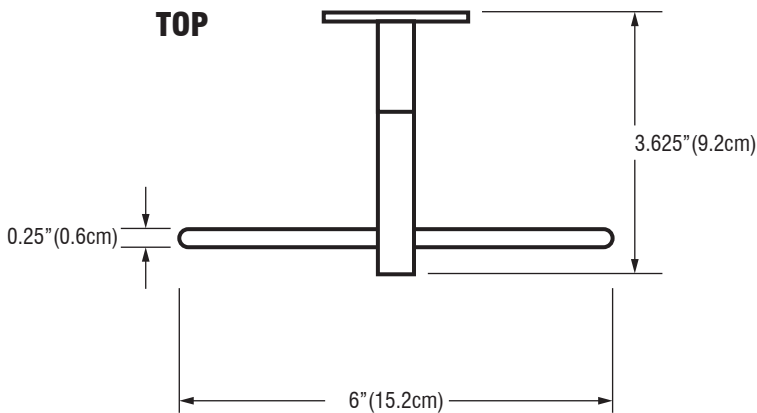
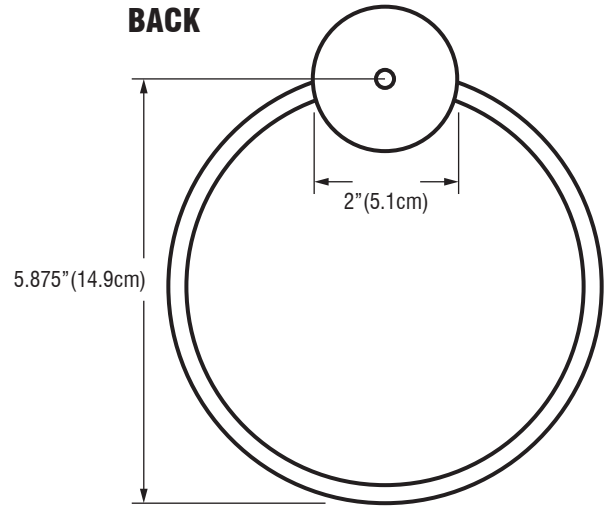
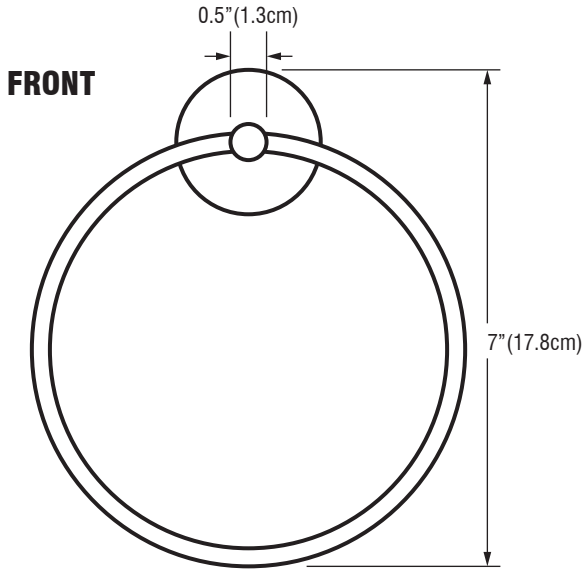
Contemporary design combines with **PATENTED** BridgeBind™ Technology resulting in a Grab Bar with:

- Solid Stainless Steel Ring
- Beauty-Functionality-Durability
- No lines for dirt to collect - maintenance free
- Unparalleled strength

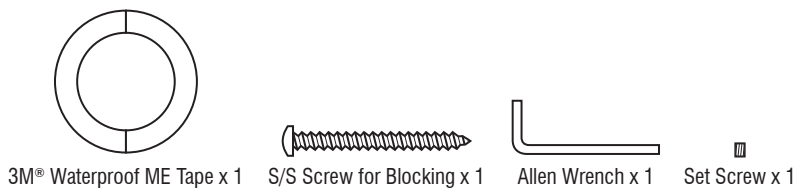
BridgeBind™ Technology is the result of drilling a hole completely through stainless steel tubing, inserting a solid stainless steel pin, and HeliArc welding the pin to the far point of the tube; solidifying the pin and tube into one piece. Creating the ultimate structural bond.

MECHANICAL DATA	
Height: 7" (17.8cm)	Diameter: 6" Ring (15.2cm)
Width: 6" (15.2cm)	
Projection: 3.625" (9.2cm)	
PRODUCT COMPOSITION	
Entire product is 18/8 (304) stainless steel. Stainless steel ring with solid stainless steel stand-offs.	
MODALITY	
Use: Wall Installation.	
INSTALLATION	
WingIts® MODERN Elegance™ Towel Rings are designed to be installed into adequate structural blocking.	
RECOMMENDED INTEGRATION	
For the strongest possible installation, it is recommended that WingIts® Master Anchor (MAW35) is used with this product.	

WINGITS®



INCLUDED HARDWARE



OPTIONAL HARDWARE
(Sold Separately)

