

WINGITS® MODERN Elegance™

Stainless Steel Vertical Towel Rack

Model:
WMETRV

Part Numbers:

WMETRV1816PS **WMETRV1816SN**

18" Wide 18" Wide
Polished Finish Satin Finish

WMETRV2416PS **WMETRV2416SN**

24" Wide 24" Wide
Polished Finish Satin Finish



Contemporary design combines with **PATENTED BridgeBind™** Technology resulting in a Towel Rack with:

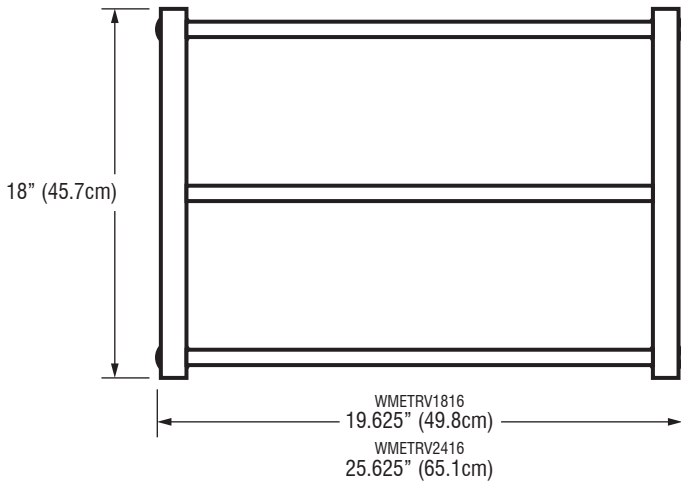
- Structural Stainless Steel
- Beauty-Functionality-Durability
- No lines for dirt to collect - maintenance free
- Unparalleled strength
- 4" projection will not be an encumbrance

BridgeBind™ Technology is the result of drilling a hole completely through stainless steel tubing, inserting a solid stainless steel pin, and HeliArc welding the pin to the far point of the tube; solidifying the pin and tube into one piece. Creating the ultimate structural bond.

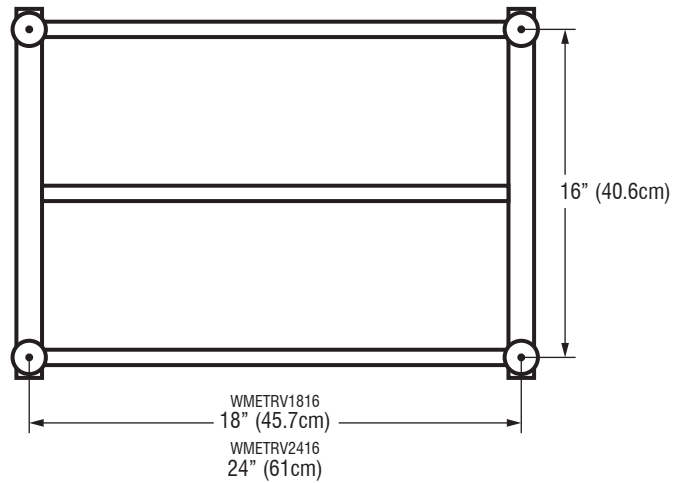
MECHANICAL DATA	
Height: 18" (45.7cm)	Diameter: 1.25" (3.2cm) vertical bars
Width: See product part number for width.	
Depth: 4" (10.2cm)	
PRODUCT COMPOSITION	
Entire product is 18/8 (304) stainless steel. Solid caps and pins are HeliArc welded to 18 gauge tube.	
MODALITY	
Use: Wall installation of Towel Rack to not exceed 4" projection (not an encumbrance).	
INSTALLATION	
WingIts® MODERN Elegance™ Stainless Steel Vertical Towel Racks are designed to be installed into adequate structural blocking or with the included WingIts® Master Anchor Fasteners for MODERN Elegance™ Bath Accessories (MAWME35).	
OPTIONS	
When obstruction is not an issue, WingIts® also offers a MODERN Elegance™ Stainless Steel Angled Vertical Towel Rack option (WMETRAV).	
RECOMMENDED INTEGRATION	
For hollow wall construction, it is recommended that the included WingIts® Master Anchor Fasteners for MODERN Elegance™ Bath Accessories (MAWME35) are used with this product. See Fastener instructions for applications.	

WINGITS®

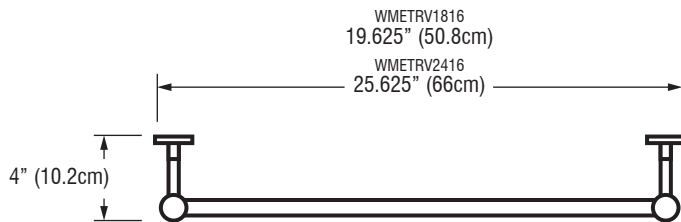
FRONT



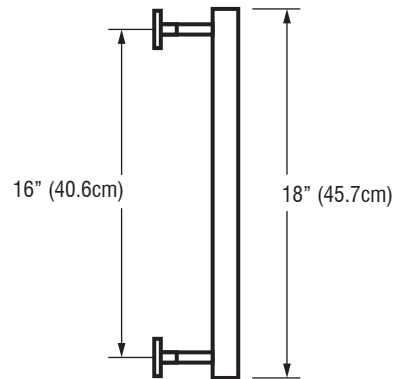
BACK



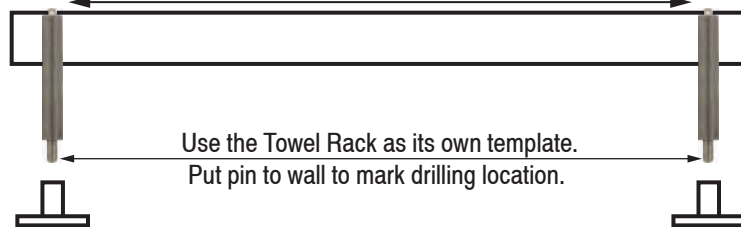
TOP



SIDE



BridgeBind™ Technology: Solid stainless steel pin is HeliArc welded to stainless steel tube.



INCLUDED HARDWARE

Comes with 4 FREE Wingits® Fasteners.
The World's Strongest Fasteners™
for Hollow Wall Construction

