

# WINGITS® MODERN Transitional™

## Stainless Steel Double Robe Hook

**Model:**  
**WMTDRH**

**Part Numbers:**

**WMTDRHPS**  
Polished Finish

**WMTDRHSN**  
Satin Finish



Contemporary design combines with **PATENTED** BridgeBind™ Technology resulting in a Double Robe Hook with:

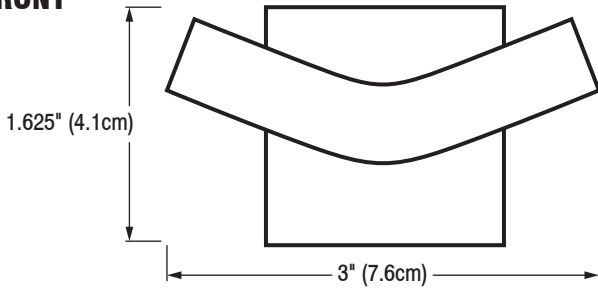
- Structural Stainless Steel
- Beauty-Functionality-Durability
- No lines for dirt to collect - maintenance free
- Unparalleled strength

BridgeBind™ Technology is the result of drilling a hole completely through stainless steel tubing, inserting a solid stainless steel pin, and HeliArc Welding the pin to the far point of the tube; solidifying the pin and tube into one piece. Creating the ultimate structural bond.

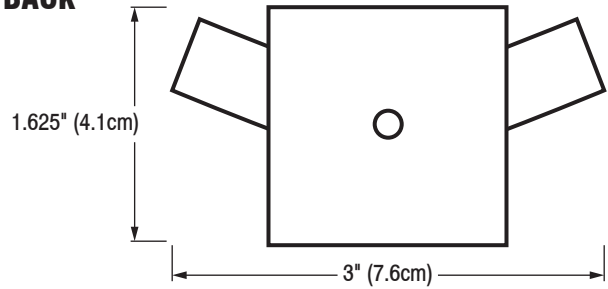
<b>MECHANICAL DATA</b>
<p><b>Height:</b> 1.625" (4.1cm)  <b>Length:</b> 3" (7.6cm)  <b>Projection:</b> 2.125" (5.4cm)</p>
<b>PRODUCT COMPOSITION</b>
<p>Entire product is 18/8 (304) stainless steel. Solid caps and pins are HeliArc welded to 18 gauge tube.</p>
<b>MODALITY</b>
<p><b>Use:</b> Wall Installation.</p>
<b>INSTALLATION</b>
<p><b>WingIts®</b> MODERN Transitional™ Double Robe Hooks are designed to be <b>installed into adequate structural blocking</b> or with <b>WingIts®</b> MASTER Anchor™ Fasteners for MODERN Transitional™ Bath Accessories (MAWME35).</p>
<b>RECOMMENDED INTEGRATION</b>
<p>It is recommended that <b>WingIts®</b> MASTER Anchor™ for MODERN Transitional™ Bath Accessories (MAWME35) is used with this product.</p>

# WINGITS®

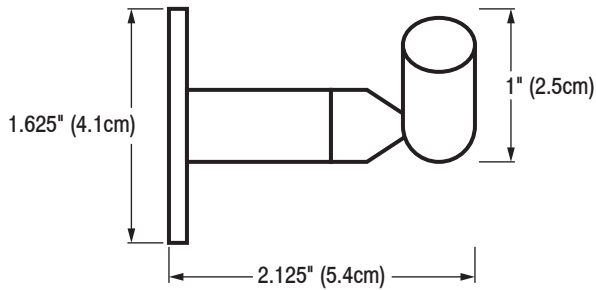
**FRONT**



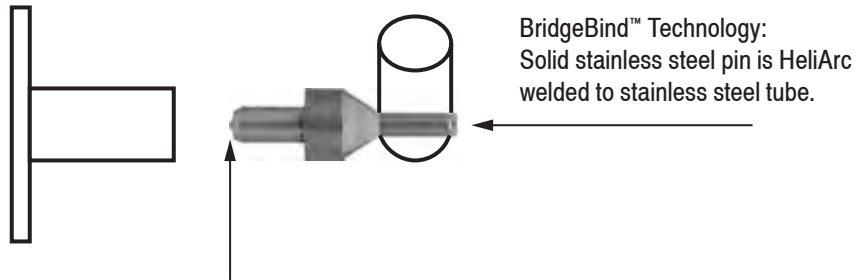
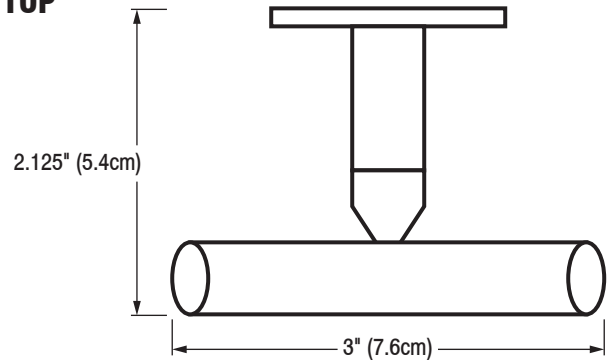
**BACK**



**SIDE**



**TOP**



BridgeBind™ Technology:  
Solid stainless steel pin is HeliArc  
welded to stainless steel tube.

Use the Robe Hook as its own template.  
Put pin to wall to mark drilling location.

**INCLUDED HARDWARE**



**OPTIONAL HARDWARE**  
(Sold Separately)

