

WINGITS® MODERN Transitional™

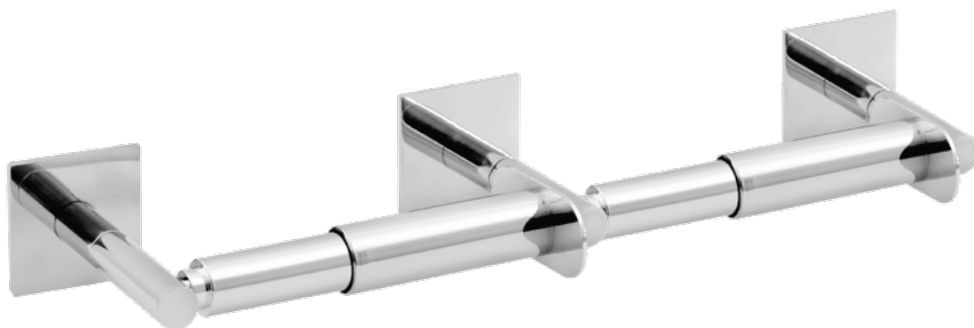
Double Toilet Paper Holder

Model:
WMTDTPH

Part Numbers:

WMTDTPHS
Polished Finish

WMTDTPHSN
Satin Finish



Contemporary design combines with **PATENTED** BridgeBind™ Technology resulting in a Double Toilet Paper Holder with:

- Solid Stainless Steel Ring
- Beauty-Functionality-Durability
- No lines for dirt to collect - maintenance free
- Unparalleled strength

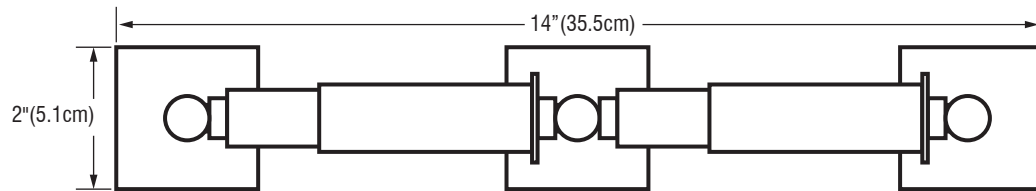
BridgeBind™ Technology is the result of drilling a hole completely through stainless steel tubing, inserting a solid stainless steel pin, and HeliArc welding the pin to the far point of the tube; solidifying the pin and tube into one piece. Creating the ultimate structural bond.

MECHANICAL DATA
Height: 2" (5.08cm) Length: 14" (35.5cm) Projection: 3.625" (9.2cm)
PRODUCT COMPOSITION
Product consists of 18/8 (304) Stainless Steel stand-offs with polished plastic spring loaded retractable tubing.
MODALITY
Use: Wall Installation.
INSTALLATION
WingIts® MODERN Transitional™ Toilet Paper Holders are designed to be installed into adequate structural blocking or with WingIts® MASTER Anchor™ Fasteners for MODERN Transitional™ Bath Accessories (MAW35).
RECOMMENDED INTEGRATION
For the strongest possible installation, it is recommended that WingIts® MASTER Anchor™ for MODERN Transitional™ Bath Accessories (MAW35) is used with this product.

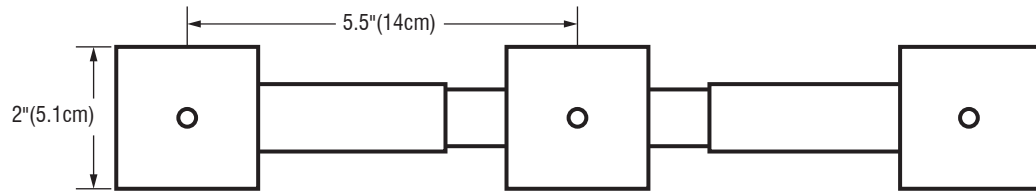
WMTDTPH(PS)(SN)_SpecSheet_20141107

WINGITS®

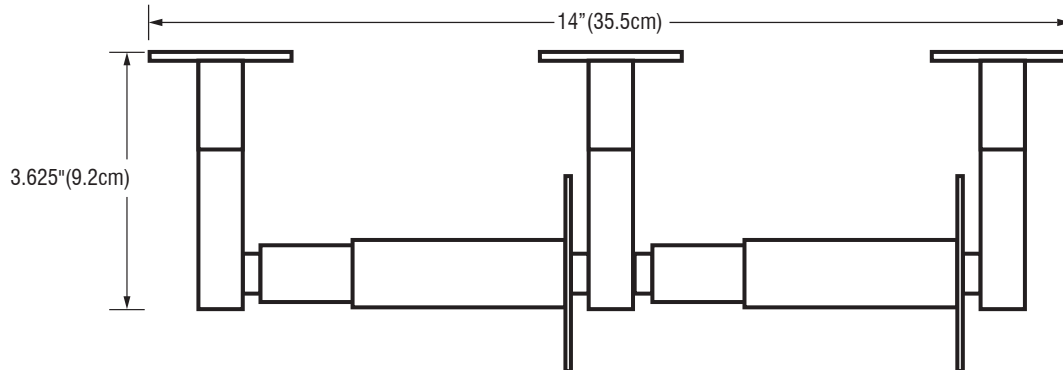
FRONT



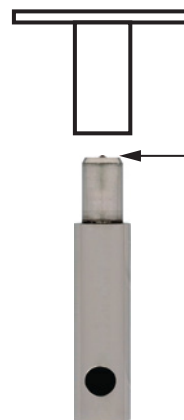
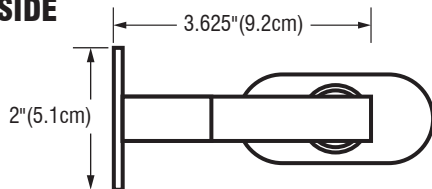
BACK



TOP

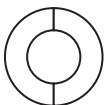


SIDE



Use the Toilet Paper Holder as its own template.
Put pin to wall to mark drilling location.

INCLUDED HARDWARE



3M® Waterproof ME Tape x 3



Allen Wrench x 1



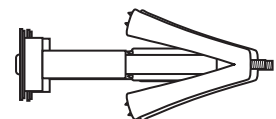
S/S Screw for Blocking x 3



Set Screw x 3

OPTIONAL HARDWARE

(Sold Separately)



Wingits® MASTER Anchor™ for MODERN Transitional™
Bath Accessories (MAW35) x 3