

# WINGITS® MODERN Transitional™

## Stainless Steel Single Button Robe Hook

**Model:**  
**WMTSBRH**

**Part Numbers:**  
**WMTSBRHPS** Polished Finish  
**WMTSBRHSN** Satin Finish



Contemporary design combines with **PATENTED** BridgeBind™ Technology resulting in a Robe Hook Holder with:

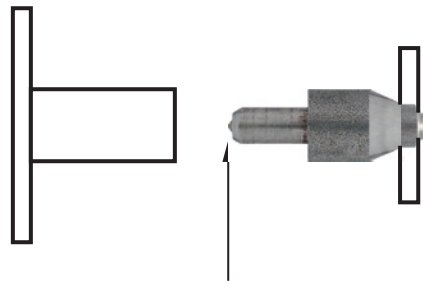
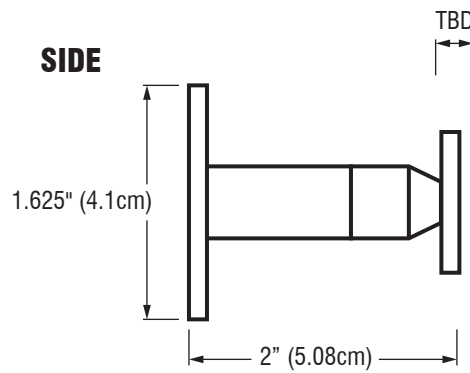
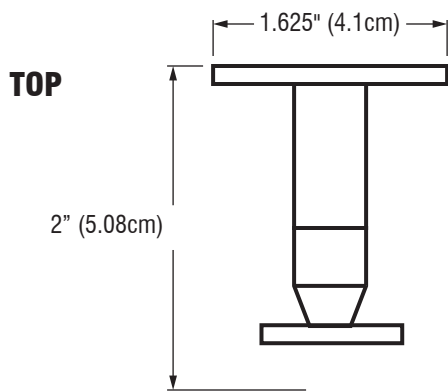
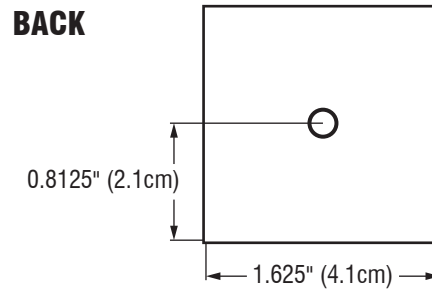
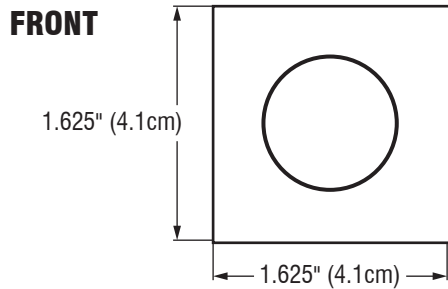
- Unparalleled strength
- Beauty-Functionality-Durability
- No lines for dirt to collect (maintenance free)

BridgeBind™ Technology is the result of drilling a hole completely through stainless steel tubing, inserting a solid stainless steel pin, and HeliArc Welding the pin to the far point of the tube; solidifying the pin and tube into one piece. Creating the ultimate structural bond.

<b>MECHANICAL DATA</b>
<b>Height:</b> 1.625" (4.1cm) <b>Length:</b> 1.625" (4.1cm) <b>Projection:</b> 2" (5.08cm)
<b>PRODUCT COMPOSITION</b>
Entire product is solid 18/8 (304) HeliArc welded stainless steel.
<b>MODALITY</b>
<b>Use:</b> Can be used in any position.
<b>INSTALLATION</b>
<b>WINGITS® MODERN Transitional™</b> Robe Hooks are designed to be <b>installed into adequate structural blocking</b> or with <b>WINGITS® MASTER Anchor™</b> Fastener for MODERN Transitional™ Bath Accessories (MAWME35).
<b>RECOMMENDED INTEGRATION</b>
It is recommended that <b>WINGITS® MASTER Anchor™</b> for MODERN Transitional™ Bath Accessories (MAWME35) is used with this product.

WMTSBRH\_SpecSheet\_20141104

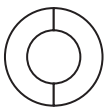
# WINGITS®



BridgeBind™ Technology:  
Solid stainless steel pin is HeliArc  
welded thru solid stainless steel rod.

Use the Robe Hook as its own template.  
Put pin to wall to mark drilling location.

## INCLUDED HARDWARE



3M® Waterproof ME Tape x 1



Allen Wrench x 1



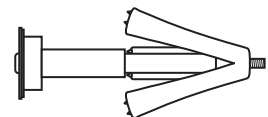
S/S Screw for Blocking x 1



Set Screw x 1

## OPTIONAL HARDWARE

(Sold Separately)



Wingits® MASTER Anchor™ for MODERN Transitional™  
Bath Accessories (MAWME35) x 1