

WINGITS® MODERN Transitional™

Structural 18/8 Stainless Steel Towel Bar

Model:
WMTTB

Part Numbers:

WMTTBPS6 6" Polished Finish	WMTTBNS6 6" Satin Finish
WMTTBPS12 12" Polished Finish	WMTTBNS12 12" Satin Finish
WMTTBPS18 18" Polished Finish	WMTTBNS18 18" Satin Finish
WMTTBPS24 24" Polished Finish	WMTTBNS24 24" Satin Finish
WMTTBPS30 30" Polished Finish	WMTTBNS30 30" Satin Finish
WMTTBPS36 36" Polished Finish	WMTTBNS36 36" Satin Finish



Contemporary design combines with **PATENTED** BridgeBind™ Technology resulting in a Towel Bar with:

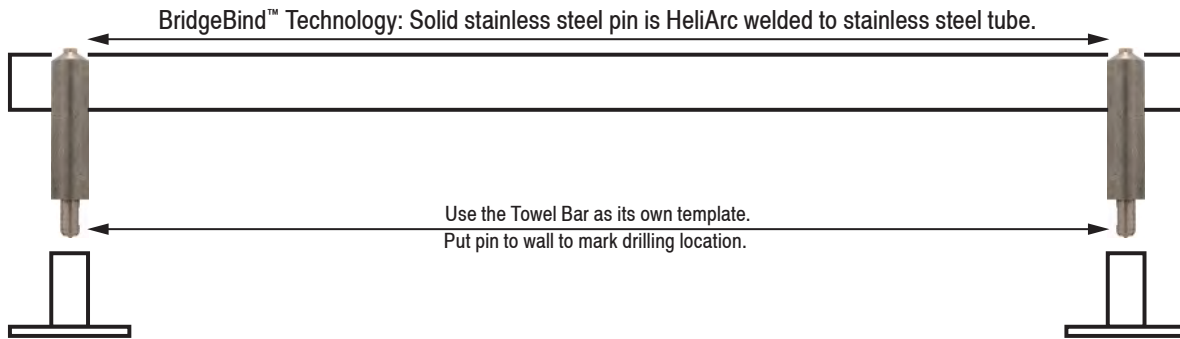
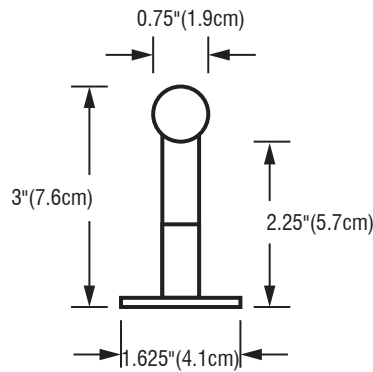
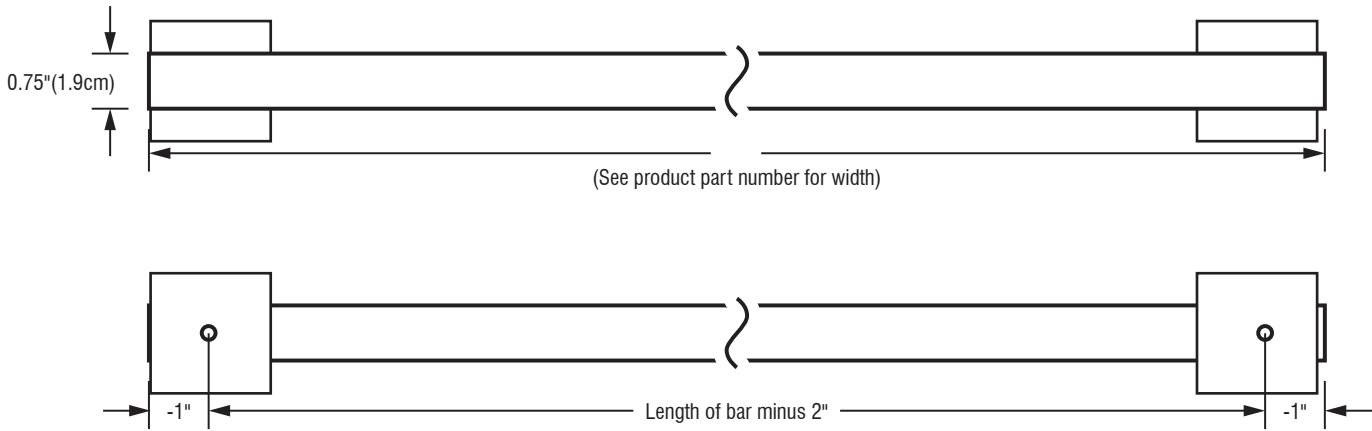
- Unparalleled strength
- Beauty
- Functionality
- Durability
- No lines for dirt to collect (maintenance free)

BridgeBind™ Technology is the result of drilling a hole completely through stainless steel tubing, inserting a solid stainless steel pin, and HeliArc welding the pin to the far point of the tube; solidifying the pin and tube into one piece. Creating the ultimate structural bond.

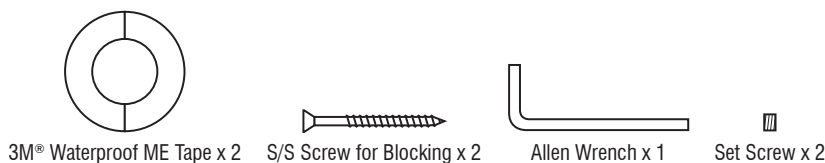
MECHANICAL DATA	
Width: See product part number for width. Complete length of Towel Bar is usable surface.	
Projection: 3" (7.6cm)	
PRODUCT COMPOSITION	
Entire product is 18/8 (304) stainless steel. Solid caps and pins are HeliArc welded to 18 gauge tube.	
MODALITY	
Use: Wall Installation.	Load Capability: 200 lbs. (90.7kg)
INSTALLATION	
WingIts® MODERN Transitional™ Structural Stainless Steel Towel Bars are designed to be installed into adequate structural blocking or with WingIts® Master Anchor Fasteners for MODERN Transitional™ Bath Accessories (MAWME35).	
RECOMMENDED INTEGRATION	
For hollow wall construction, it is recommended that WingIts® Master Anchor Fasteners for MODERN Transitional™ Bath Accessories (MAWME35) are used with this product. See Fastener instructions for applications.	

WMTTB(PS)(SN)_SpecSheet_20141015

WINGITS®



INCLUDED HARDWARE



OPTIONAL HARDWARE (Sold Separately)

