

# WINGITS® MODERN Transitional™ Stainless Steel Vertical Towel Rack

**Model:**  
**WMTTRV**

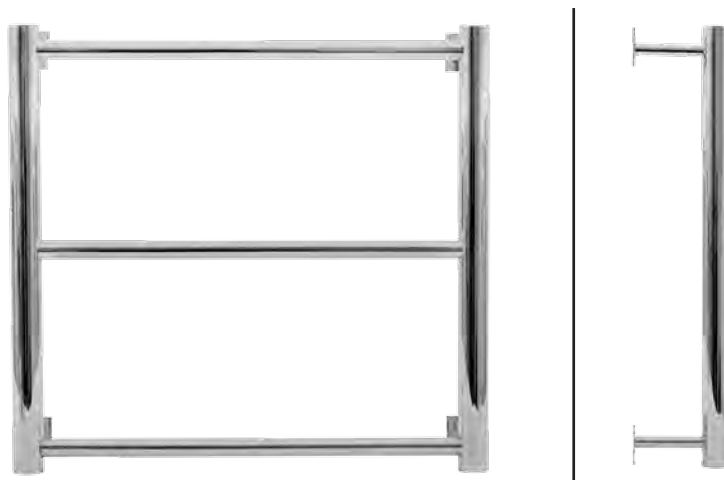
**Part Numbers:**

**WMTTRV1816PS**      **WMTTRV1816SN**

18" Wide              18" Wide  
Polished Finish      Satin Finish

**WMTTRV2416PS**      **WMTTRV2416SN**

24" Wide              24" Wide  
Polished Finish      Satin Finish



Contemporary design combines with **PATENTED BridgeBind™** Technology resulting in a Towel Rack with:

- Structural Stainless Steel
- Beauty-Functionality-Durability
- No lines for dirt to collect - maintenance free
- Unparalleled strength
- 4" projection will not be an encumbrance

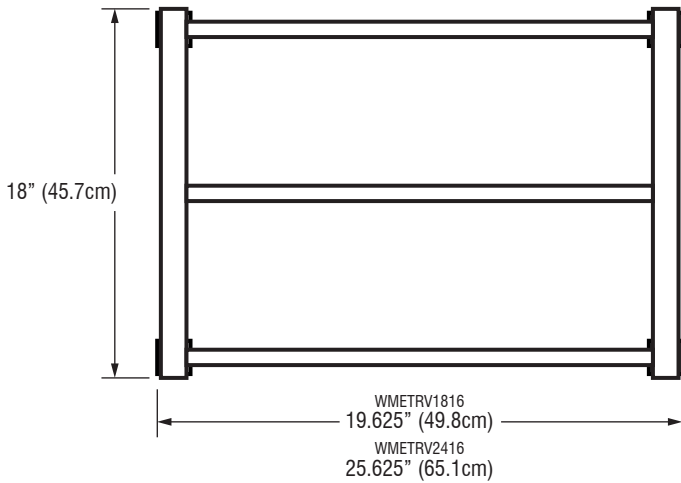
BridgeBind™ Technology is the result of drilling a hole completely through stainless steel tubing, inserting a solid stainless steel pin, and HeliArc welding the pin to the far point of the tube; solidifying the pin and tube into one piece. Creating the ultimate structural bond.

<b>MECHANICAL DATA</b>	
<b>Height:</b> 18" (45.7cm)	<b>Diameter:</b> 1.25" (3.2cm) vertical bars
<b>Width:</b> See product part number for width.	
<b>Depth:</b> 4" (10.2cm)	
<b>PRODUCT COMPOSITION</b>	
Entire product is 18/8 (304) stainless steel. Solid caps and pins are HeliArc welded to 18 gauge tube.	
<b>MODALITY</b>	
<b>Use:</b> Wall installation of Towel Rack to not exceed 4" projection (not an encumbrance).	
<b>INSTALLATION</b>	
<b>WingIts®</b> MODERN Transitional™ Stainless Steel Vertical Towel Racks are designed to be <b>installed into adequate structural blocking</b> or with the included <b>WingIts®</b> MASTER Anchor™ Fasteners for MODERN Transitional™ Bath Accessories (MAWME35).	
<b>OPTIONS</b>	
When obstruction is not an issue, <b>WingIts®</b> also offers a MODERN Transitional™ Stainless Steel Angled Vertical Towel Rack option (WMTTRAV).	
<b>RECOMMENDED INTEGRATION</b>	
For hollow wall construction, it is recommended that the included <b>WingIts®</b> MASTER Anchor™ Fasteners for MODERN Transitional™ Bath Accessories (MAWME35) are used with this product. See Fastener instructions for applications.	

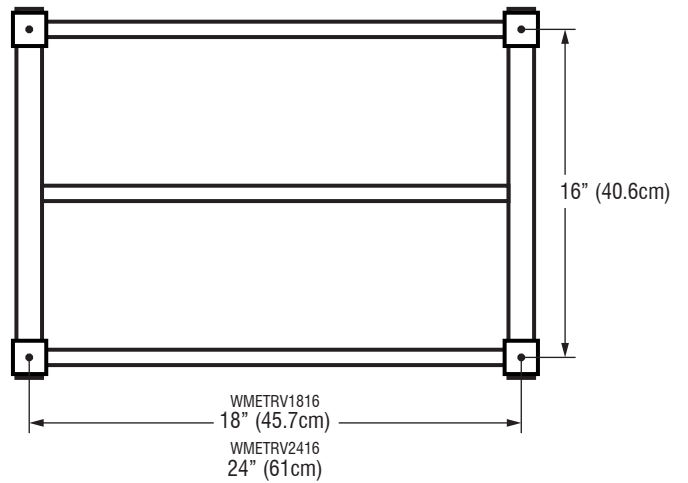
WMTTRV(18)(24)16(PS)(SN)\_SpecSheet\_20141105

# WINGITS®

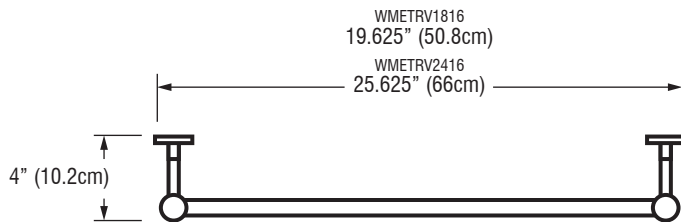
**FRONT**



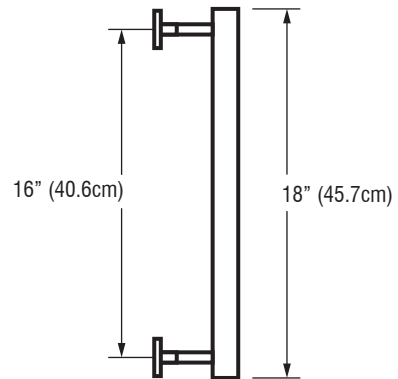
**BACK**



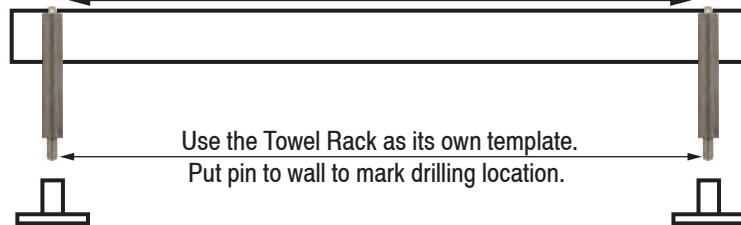
**TOP**



**SIDE**



BridgeBind™ Technology: Solid stainless steel pin is HeliArc welded to stainless steel tube.



**INCLUDED HARDWARE**

Comes with 4 FREE Wingits® Fasteners.  
The World's Strongest Fasteners™  
for Hollow Wall Construction

