

# WINGITS® PLATINUM™

## Structural Towel Rack

**Model:**  
**WPTR**

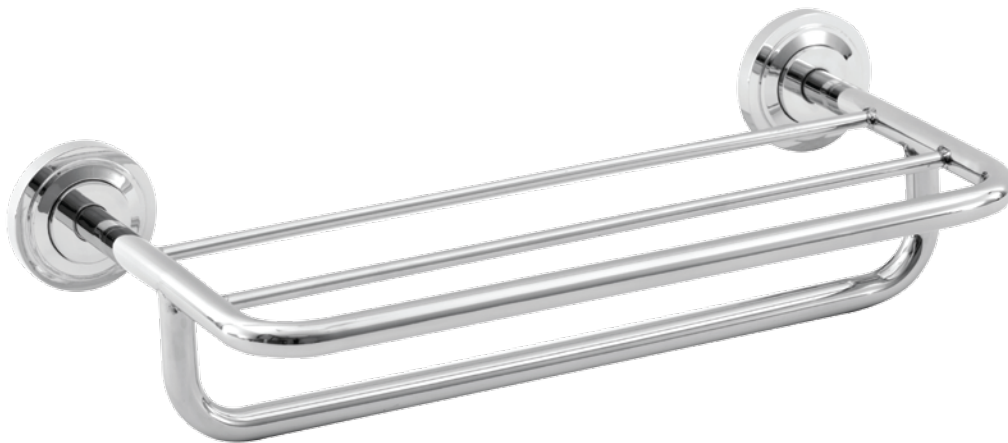
**Part Numbers:**

**WPTRPS18xxx**  
18" Polished Finish

**WPTRSN18xxx**  
18" Satin Finish

**WPTRPS24xxx**  
24" Polished Finish

**WPTRSN24xxx**  
24" Satin Finish



**Platinum Flange Style Options**



**BAND = BAN**



**BEVEL = BEV**



**HALO = HAL**



**HEX = HEX**



**ROPE = ROP**



**TAPER = TAP**



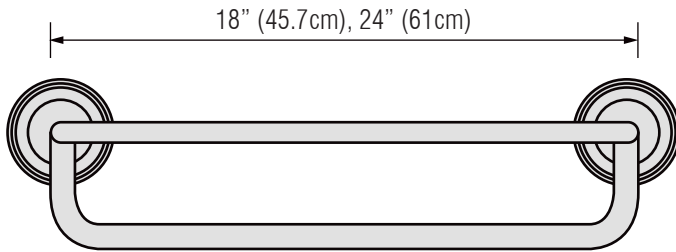
**TRI-STEP = TRI**

- 7 Bold Flange Designs
- All parts are 18/8 Stainless Steel (Type 304)
- Mounting Flanges are 3.25" (83mm) in diameter, 3/32" (2.5mm) thick, HeliArc welded to the tubing. Mounting Flanges have 5 holes for attachment to **WINGITS®** or adequate blocking.
- High End Cast Stainless Steel threaded Flange covers thread onto the Cast Stainless Steel Flanges

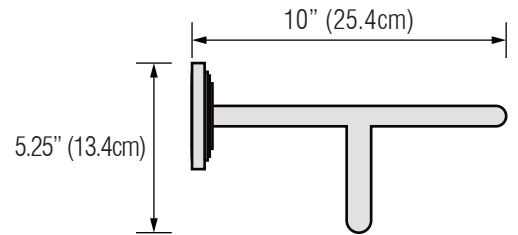
<b>MECHANICAL DATA</b>
<b>Height:</b> 5.25" (13.4cm)
<b>Length:</b> 18" (45.7cm) 24" (61cm)
<b>Projection:</b> 10" (25.4cm)
<b>PRODUCT COMPOSITION</b>
18/8 (304) Stainless Steel
<b>MODALITY</b>
<b>Use:</b> Hollow wall installation with included Structurally Engineered Fasteners.
<b>INSTALLATION</b>
<b>WINGITS® PLATINUM™</b> Towel Racks are designed to be <b>installed into adequate structural blocking</b> or with <b>WINGITS®</b> Structurally Engineered Fasteners (Included).
<b>RECOMMENDED INTEGRATION</b>
It is recommended that <b>WINGITS®</b> Structurally Engineered Fastener for PLATINUM™ Bath Accessories (RESGBW35) is used with this product.

# WINGITS®

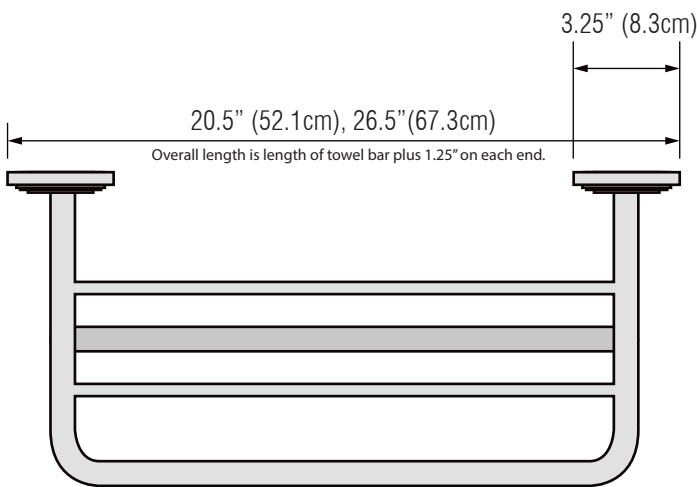
**FRONT**



**SIDE**



**TOP**

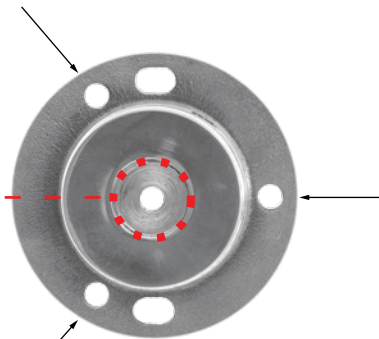


Holes - 1/4"  
Slots - 1/4" x 1/2"  
(used when installing with  
**WingIts®** RESGBW35  
Fastening System)  
Bolt Circle is 2.3125"

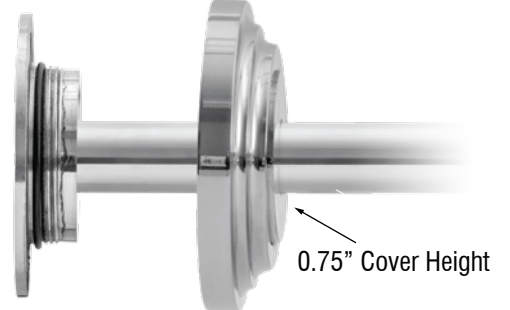
Towel Bar  
Mounting Flange

Towel Bar Tube

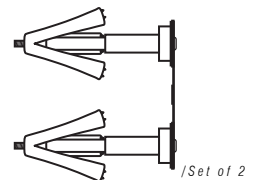
For Structural Blocking



Thread on Cover



**INCLUDED HARDWARE**



**WingIts®** Structurally Engineered Fastener  
(RESGBW35-2)