

# WINGITS® PURE Elegance™

## Stainless Steel Grab Bar with Nylon Sheath

Model:

# WGB5PU

**Part Numbers:**

**WGB5PU12zz**  
12" Nylon Sheath Finish

**WGB5PU16zz**  
16" Nylon Sheath Finish

**WGB5PU18zz**  
18" Nylon Sheath Finish

**WGB5PU24zz**  
24" Nylon Sheath Finish

**WGB5PU30zz**  
30" Nylon Sheath Finish

**WGB5PU32zz**  
32" Nylon Sheath Finish

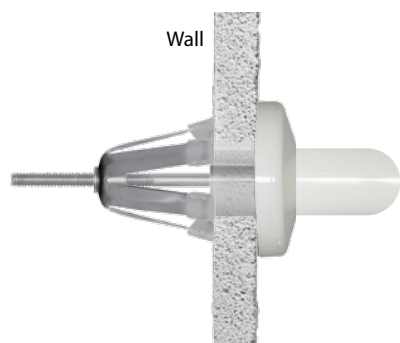
**WGB5PU36zz**  
36" Nylon Sheath Finish

**WGB5PU42zz**  
42" Nylon Sheath Finish

**WGB5PU48zz**  
48" Nylon Sheath Finish

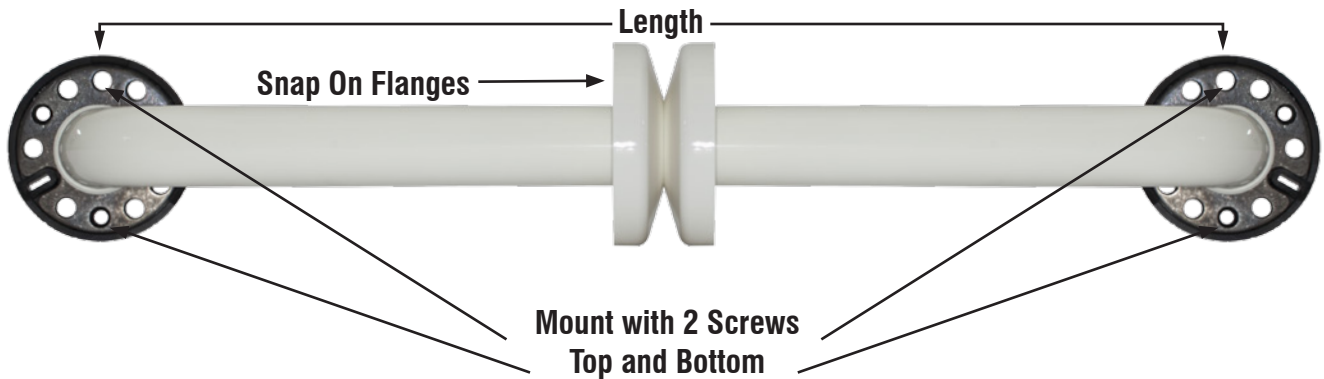


- 18/8 (304) Stainless Steel
- Excellent gripping surface for wet hands - Non-slip, antimicrobial and recyclable
- Soft and warm to the touch
- Tubing is 18-gauge (1.2mm)
- Mounting Flanges are 3" (75mm) in diameter, 3/32" (2.5mm) thick, heli-arc welded to the tubing. Mounting Flanges have holes for attachment to Winglts® or adequate blocking.
- Snap-On Flange Covers are 22 gauge (0.8mm) drawn stainless steel, 3" (76mm) in diameter and 3/8" (10mm) in height.
- Provide 1-1/2" (38mm) clearance from wall.
- Exceeds Safety Rails in Hazardous Locations criteria as well as barrier free accessibility guidelines, including ADAAG, for structural strength.
- ADA Compliant – Exceeds ADA Guidelines and ALL Building Codes\*
- Winglts® Grab Bars support loads in excess of 800 lbs (362.87kg).
- Comes in White, Bone and Biscuit Finishes

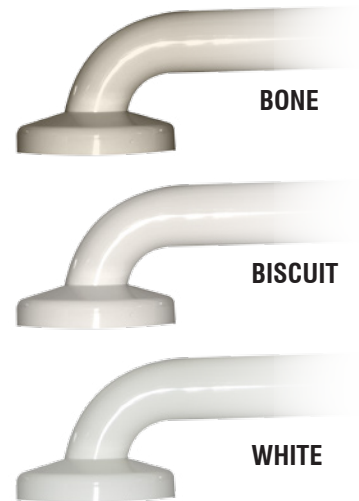


<b>MECHANICAL DATA</b>
<b>Length:</b> See product part number for width. Complete length of Grab Bar is usable surface. <b>Diameter:</b> 1.25" (3.2cm)
<b>PRODUCT COMPOSITION</b>
Entire product is stainless steel.
<b>MODALITY</b>
<b>Use:</b> Wall Installation. <b>Load Capability:</b> 800 lbs (362.9kg)
<b>INSTALLATION</b>
Winglts® PURE Elegance™ Structural Stainless Steel Grab Bars are designed to hold live loads and <b>must be installed into adequate structural blocking</b> or with Winglts® Grab Bar Fasteners.
<b>CERTIFICATIONS</b>
Winglts® PURE Elegance™ Structural Stainless Steel Grab Bars meet or exceed the applicable requirements of all building codes, ADA criteria, and 2010 ADAAG and 2009 ANSI standards.
<b>RECOMMENDED INTEGRATION</b>
For hollow wall construction, it is recommended that Winglts® Grab Bar Fasteners are used with this product. See Fastener instructions for applications.

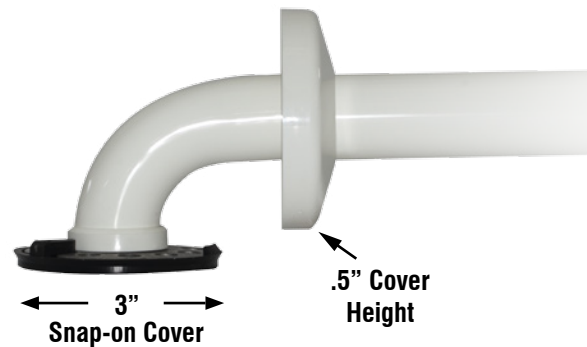
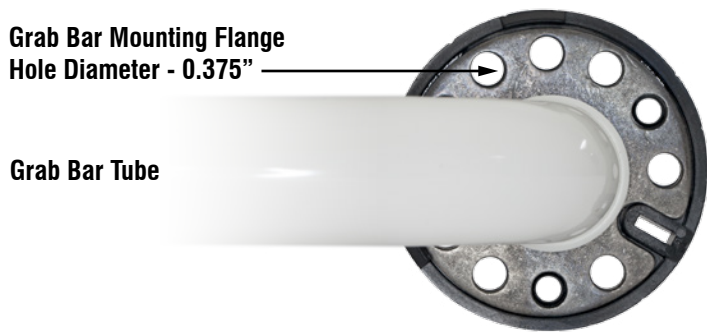
# WINGITS®



WINGIT P/N	DIMENSION	DESCRIPTION
WGB5PU12zz	12" x 1.25	12" Nylon Sheath Stainless Steel 1.25" OD Grab Bar
WGB5PU16zz	16" x 1.25	16" Nylon Sheath Stainless Steel 1.25" OD Grab Bar
WGB5PU18zz	18" x 1.25	18" Nylon Sheath Stainless Steel 1.25" OD Grab Bar
WGB5PU24zz	24" x 1.25	24" Nylon Sheath Stainless Steel 1.25" OD Grab Bar
WGB5PU30xx	30" x 1.25	30" Nylon Sheath Stainless Steel 1.25" OD Grab Bar
WGB5PU32zz	32" x 1.25	32" Nylon Sheath Stainless Steel 1.25" OD Grab Bar
WGB5PU36zz	36" x 1.25	36" Nylon Sheath Stainless Steel 1.25" OD Grab Bar
WGB5PU42zz	42" x 1.25	42" Nylon Sheath Stainless Steel 1.25" OD Grab Bar
WGB5PU48zz	48" x 1.25	48" Nylon Sheath Stainless Steel 1.25" OD Grab Bar



Options For Nylon Sheath: "zz" (Finish): BO = BONE, BI = BISCUIT, WH = WHITE



**INCLUDED HARDWARE**



**OPTIONAL HARDWARE**  
(Sold Separately)

