

WINGITS® AC Hotels

Angled Robe Hook

Model:
WACARH

Part Numbers:
WACARHPS **WACARHSN**
 Polished Finish Satin Finish



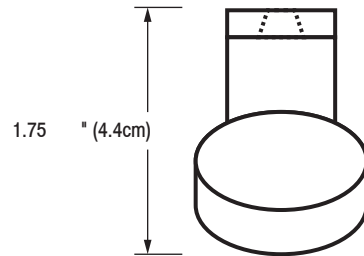
Contemporary design combines with structural durability resulting in a Robe Hook with:

- Structural Stainless Steel
- Beauty-Functionality-Durability
- No lines for dirt to collect - maintenance free
- Unparalleled strength

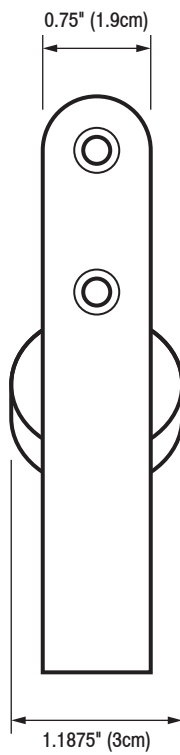
MECHANICAL DATA
<p>Height: 4" (10.2cm)</p> <p>length: 1.1875" (3cm)</p> <p>Projection: 1.75" (4.4cm)</p>
PRODUCT COMPOSITION
Entire product is 18/8 (304) stainless steel.
MODALITY
Use: Wall Installation.
INSTALLATION
WINGITS® Angled Robe Hooks are designed to be installed into adequate structural blocking.

WINGITS®

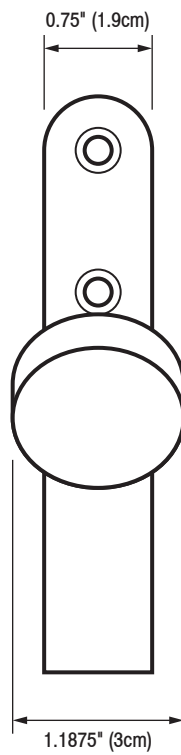
TOP



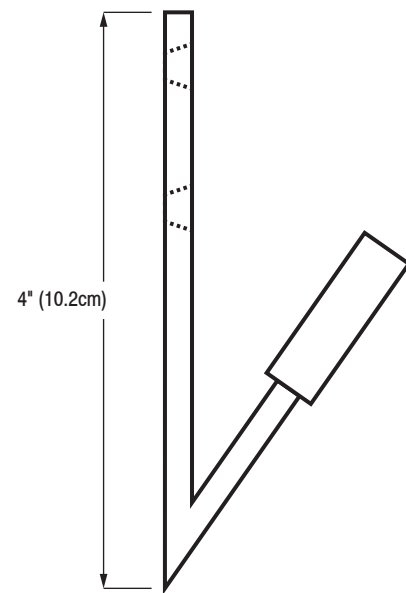
BACK



FRONT



SIDE



INCLUDED HARDWARE



Stainless Steel Screws x 2