

# WINGITS® STANDARD

## Superior Poly-Painted Grab Bar

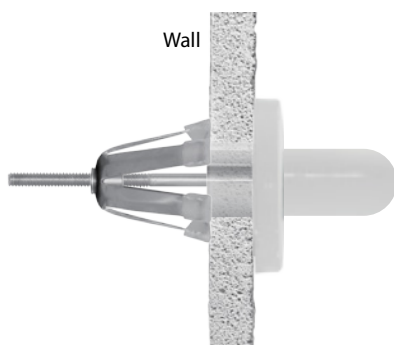
**Model:**  
**WGB5YS**

**Part Numbers:**

- WGB5YS12zz**  
12" Painted Finish
- WGB5YS16zz**  
16" Painted Finish
- WGB5YS18zz**  
18" Painted Finish
- WGB5YS24zz**  
24" Painted Finish
- WGB5YS30zz**  
30" Painted Finish
- WGB5YS32zz**  
32" Painted Finish
- WGB5YS36zz**  
36" Painted Finish
- WGB5YS42zz**  
42" Painted Finish
- WGB5YS48zz**  
48" Painted Finish

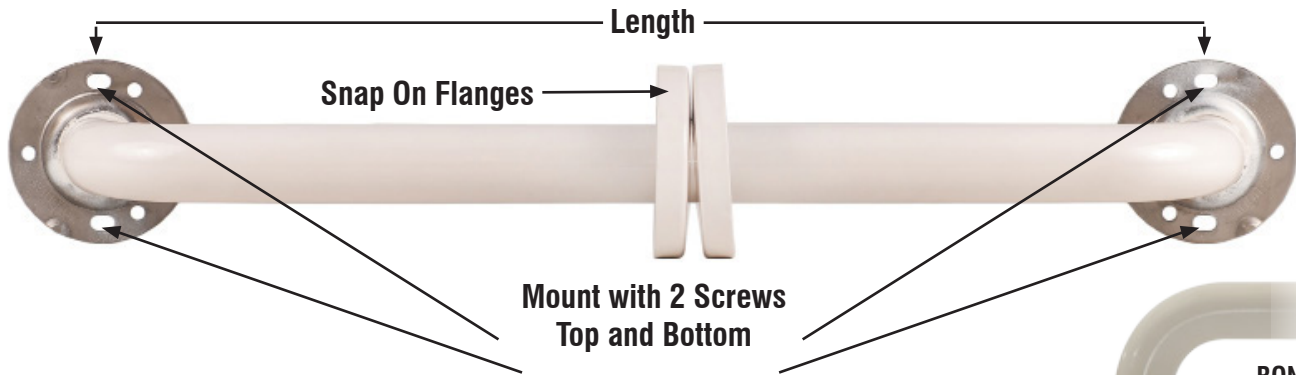


- All parts are Stainless Steel - tubing is 18-gauge (1.2mm)
- Mounting Flanges are 3" (75mm) in diameter, 3/32" (2.5mm) thick, HeliArc welded to the tubing. Mounting Flanges have 5 holes for attachment to WINGITS or adequate blocking.
- Snap-On Flange Covers are 22 gauge (0.8mm) drawn stainless steel, 3" (76mm) in diameter and 3/8" (10mm) in height.
- Provide 1-1/2" (38mm) clearance from wall.



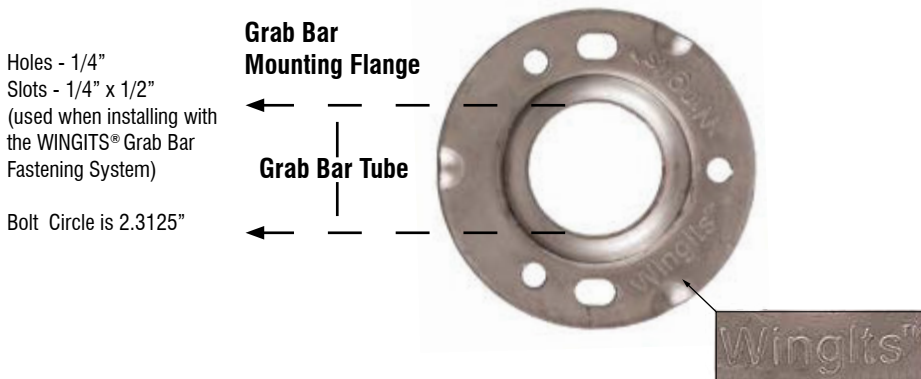
<b>MECHANICAL DATA</b>
<b>Width:</b> See product part number for width. Complete length of Grab Bar is usable surface. <b>Diameter:</b> 1.25" (3.2cm)
<b>PRODUCT COMPOSITION</b>
Entire product is stainless steel.
<b>MODALITY</b>
<b>Use:</b> Wall Installation. <b>Load Capability:</b> 800 lbs (362.9kg)
<b>INSTALLATION</b>
<b>WingIts® STANDARD Structural Stainless Steel Grab Bars</b> are designed to hold live loads and <b>must be installed into adequate structural blocking</b> or with <b>WingIts® Grab Bar Fasteners</b>
<b>CERTIFICATIONS</b>
<b>WingIts® STANDARD Structural Stainless Steel Grab Bars</b> meet or exceed the applicable requirements of all building codes, ADA criteria, and 2010 ADAAG and 2009 ANSI standards.
<b>RECOMMENDED INTEGRATION</b>
For hollow wall construction, it is recommended that <b>WingIts® Grab Bar Fasteners</b> are used with this product. See Fastener instructions for applications.

# WINGITS®



WINGIT P/N	DIMENSION	DESCRIPTION
WGB5YS12zz	12" x 1.25	12" Polyester Paint Stainless Steel 1.25" OD Grab Bar
WGB5YS16zz	16" x 1.25	16" Polyester Paint Stainless Steel 1.25" OD Grab Bar
WGB5YS18zz	18" x 1.25	18" Polyester Paint Stainless Steel 1.25" OD Grab Bar
WGB5YS24zz	24" x 1.25	24" Polyester Paint Stainless Steel 1.25" OD Grab Bar
WGB5YS30zz	30" x 1.25	30" Polyester Paint Stainless Steel 1.25" OD Grab Bar
WGB5YS32zz	32" x 1.25	32" Polyester Paint Stainless Steel 1.25" OD Grab Bar
WGB5YS36zz	36" x 1.25	36" Polyester Paint Stainless Steel 1.25" OD Grab Bar
WGB5YS42zz	42" x 1.25	42" Polyester Paint Stainless Steel 1.25" OD Grab Bar
WGB5YS48zz	48" x 1.25	48" Polyester Paint Stainless Steel 1.25" OD Grab Bar

Options For Polyester Paint "zz" (Finish): BO = BONE, BI = BISCUIT, ORB = OIL RUBBED BRONZE, BLKORB = BLACK OIL RUBBED BRONZE, WH = WHITE



Holes - 1/4"  
Slots - 1/4" x 1/2"  
(used when installing with the WINGITS® Grab Bar Fastening System)  
Bolt Circle is 2.3125"



## INCLUDED HARDWARE



## OPTIONAL HARDWARE (Sold Separately)

