

WINGITS®

MODERN Elegance™

Double Toilet Paper Holder

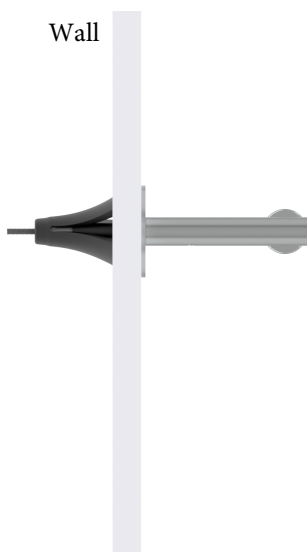
Model:

WMEDTPH

Part Numbers:

WMEDTPHPS
Polished Finish

WMEDTPHSN
Satin Finish



Features:

- Modern design combined with **PATENTED BridgeBind™** Manufacturing creates the ultimate in bath accessories
- Minimal, Elegant Design
- Hand Polished Stainless Steel

MECHANICAL DATA

Length: 13" (330mm)
Diameter: 2" (51mm)
Depth: 3.625" (92mm)

COMPOSITION

18-8 (304) Stainless Steel

INSTALLATION

Includes Stainless Steel Screws to Install into **Adequate Structural Blocking**.
Includes 3M® VHB Waterproof Tape.
Can Be Installed with WINGITS® Fasteners when blocking is not available.

RECOMMENDED INTEGRATION

PROPER INSTALLATION REQUIRES use of 3M® VHB Waterproof Tape to stop rotation and **MUST** be installed into **Adequate Structural Blocking** or with optional WINGITS® Fasteners.

WINGITS® MODERN™ design is available in all Bath Accessories.

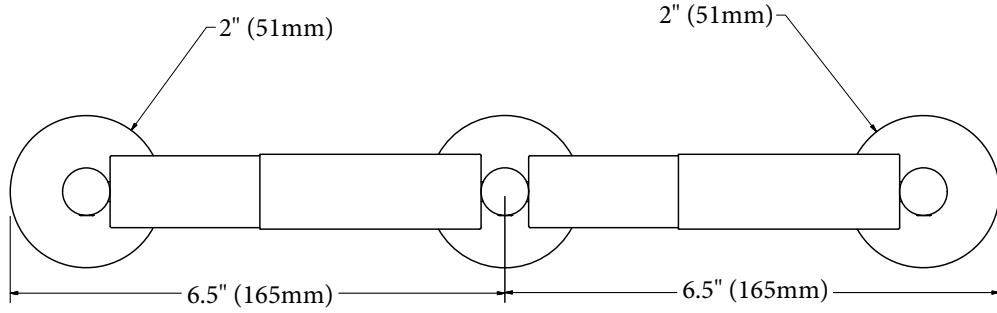
PATENTED

BridgeBind™ Technology

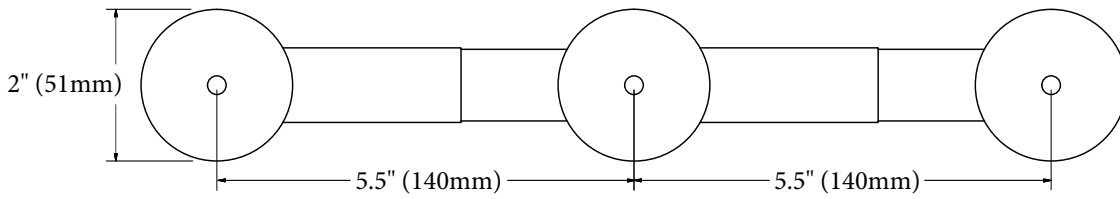


A steel dowel is expertly embedded in a stainless steel tube then arc welded to the tube's far side for the perfect structural synthesis

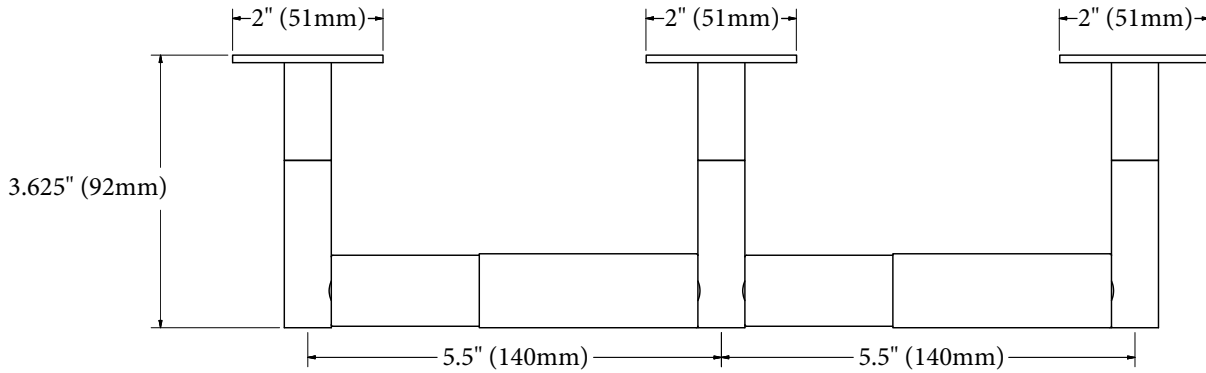
Front



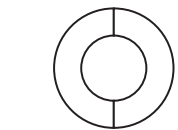
Back



Top



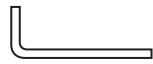
Included Hardware



3M[®] Waterproof Tape (3)



2.5" S/S Screw (3)

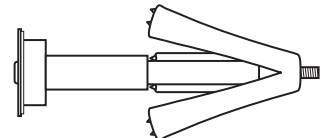


Allen Wrench (1)



Set Screw (3)

**Optional Hardware
(Sold Separately)**



WINGITS[®] MASTER Anchor (MAW35)
(3)