

WINGITS®

PURE Elegance™

Right L-Shaped Shower Seat

Model:
PUEX

Part Numbers:

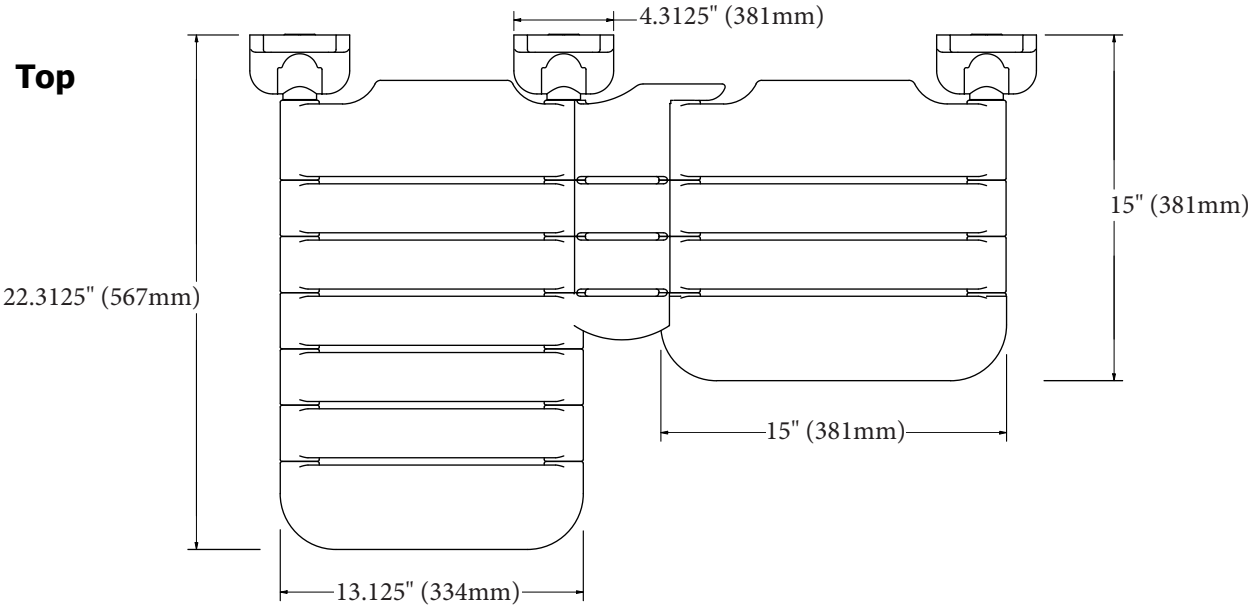
PUEX32RHWH
32" x 22.5" Shower Seat
White Nylon Finish



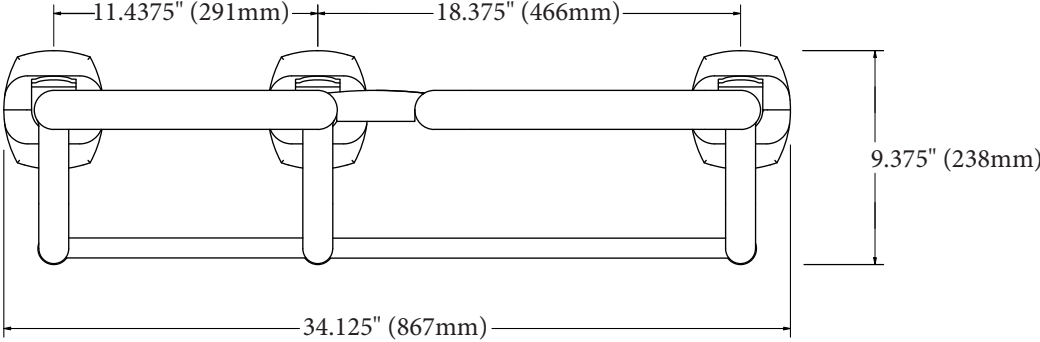
- Exceeds minimum 250 lbs. load requirement per the 2010 ADAAG and 2017 ANSI Standards
- Beautifully designed and warm to the touch
- Heavy Nylon Antimicrobial Sheath Exterior with Directional Slats
- Folds up neatly after use
- Stainless Steel Mount Plate and Hinge
- Rated up to 450 lbs.

MECHANICAL DATA
Height: 9.375 (238mm) Width: 31.5" (800mm) Depth: 22.3125" (567mm)
PRODUCT COMPOSITION
2.5mm vinyl 78ShA coating Ø33 extrusion. Seat stave is polyamide 6 (PA6). Hose support is steel (FE360/Sched 40).
MODALITY
Use: Wall Installation. Load Capability: 450 lbs. (204kg)
INSTALLATION
WINGITS® Folding Shower Seats are designed to hold live loads and must be installed into Adequate Structural Blocking.
RECOMMENDED INTEGRATION
Installation into Adequate Structural Blocking is required.

Top



Front



Side

