

WINGITS®

Angled Robe Hook

Model:

WACARH

Part Numbers:

WACARHPS
Polished Finish

WACARHSN
Satin Finish

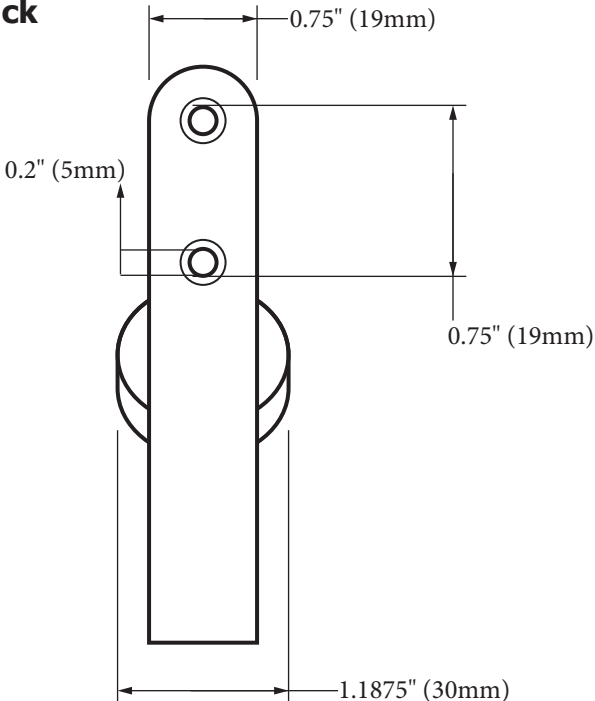


Features:

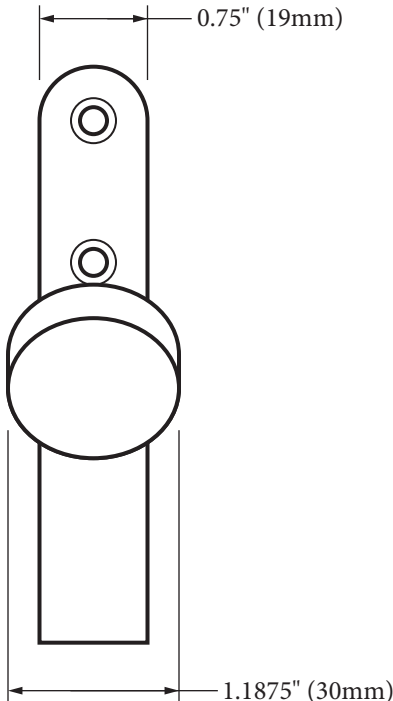
- Hand Polished Stainless Steel
- Beauty, Functionality & Durability
- Sleek, Minimal Design

MECHANICAL DATA
Length: 1.1875" (30mm) Height: 4" (102mm) Depth: 1.75" (44mm)
COMPOSITION
18-8 (304) Stainless Steel
RECOMMENDED INTEGRATION
WINGITS® Angled Robe Hooks are designed for walls only and must be installed into Adequate Structural Blocking.

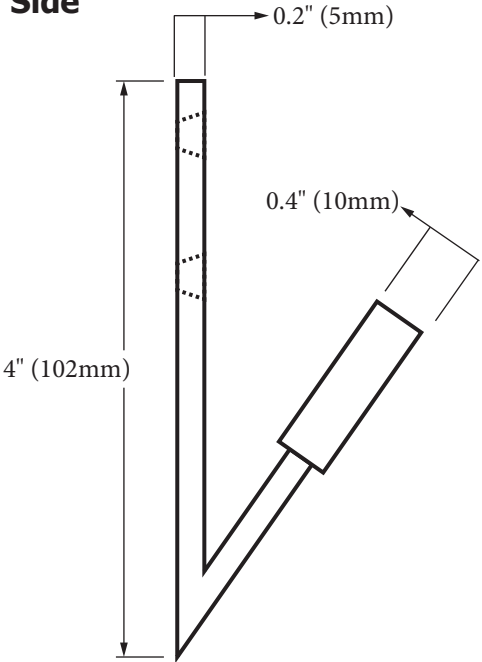
Back



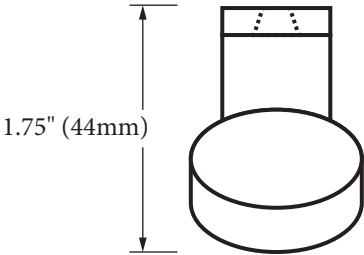
Front



Side



Top



Included Hardware



Stainless Steel Screws (2)