

WINGITS®

CANTED Elegance™

Double Horizontal Toilet Paper Holder

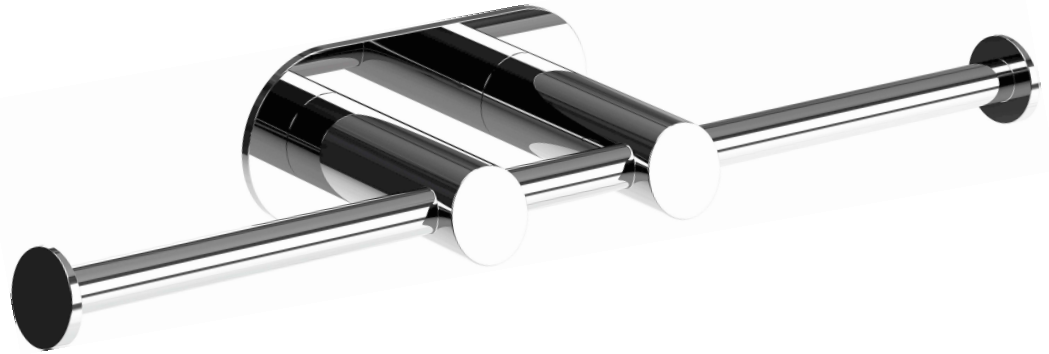
Model:

WCNDEDHTPH

Part Numbers:

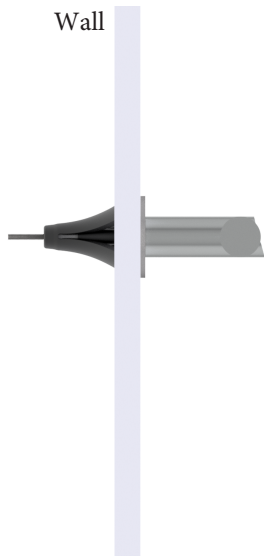
WCNDEDHTPHPS
Polished Finish

WCNDEDHTPHSN
Satin Finish



Features

- Minimal, Elegant Design with CANTED Faces
- ALL 18-8 (304) Stainless Steel Construction
- Can Be Installed with WINGITS® Fasteners (optional)
- Superior Structure with Beautiful Finish



MECHANICAL DATA

Length: 13" (330mm)

Height: 2.5" (64mm)

Depth: 3" (76mm)

COMPOSITION

18-8 (304) Stainless Steel

INSTALLATION

Includes Stainless Steel Screws to Install into **Adequate Structural Blocking**.

Includes 3M® VHB Waterproof Tape.

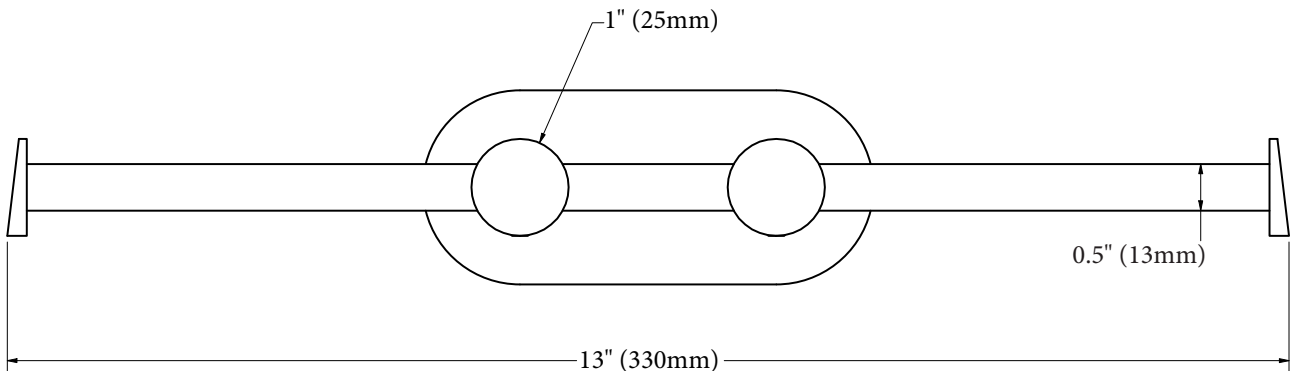
Can Be Installed with WINGITS® Fasteners when blocking is not available.

RECOMMENDED INTEGRATION

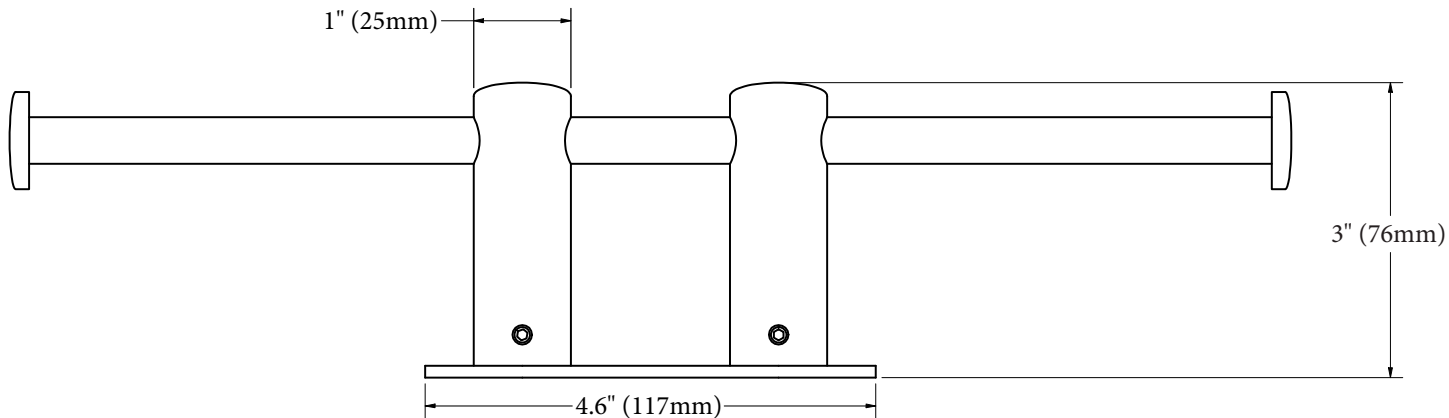
Install into **Adequate Structural Blocking** or with WINGITS® Fasteners.

WINGITS® CANTED™ design is available in all Bath Accessories.

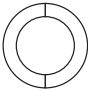

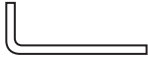

Front



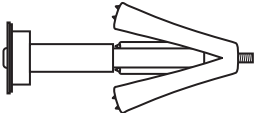
Bottom



Included Hardware

-  3M[®] Waterproof Tape (2)
-  Steel Screw (2)
-  Allen Wrench (1)
-  Set Screw (2)

**Optional Hardware
(Sold Separately)**

-  WINGITS[®] MASTER Anchor™ (MAW35) (2)