

# WINGITS®

# CANTED Elegance™

## Glass Mounted Single Button Robe Hook

Model:

# WCNDESBRHGM

Part Numbers:

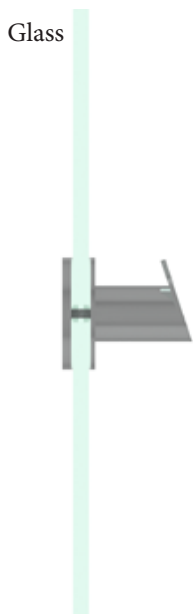
WCNDESBRHGMPS  
Polished Finish

WCNDESBRHGMSN  
Satin Finish



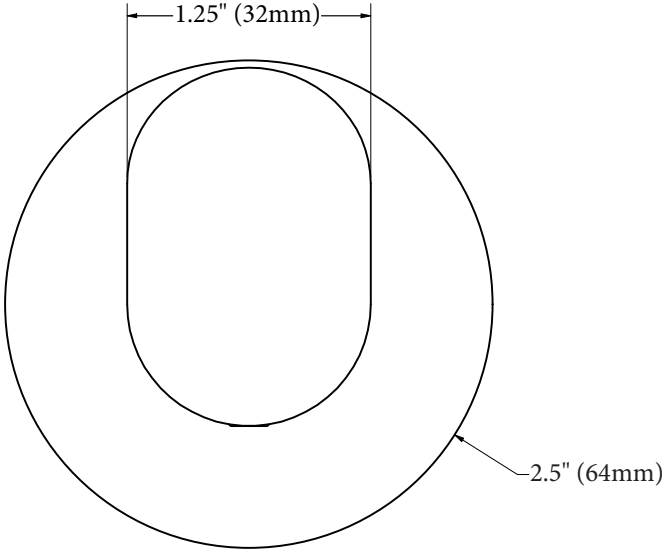
**Features:**

- Minimal, Elegant Design with CANTED Face
- ALL 18-8 (304) Stainless Steel Construction
- Superior Structure with Beautiful Finish

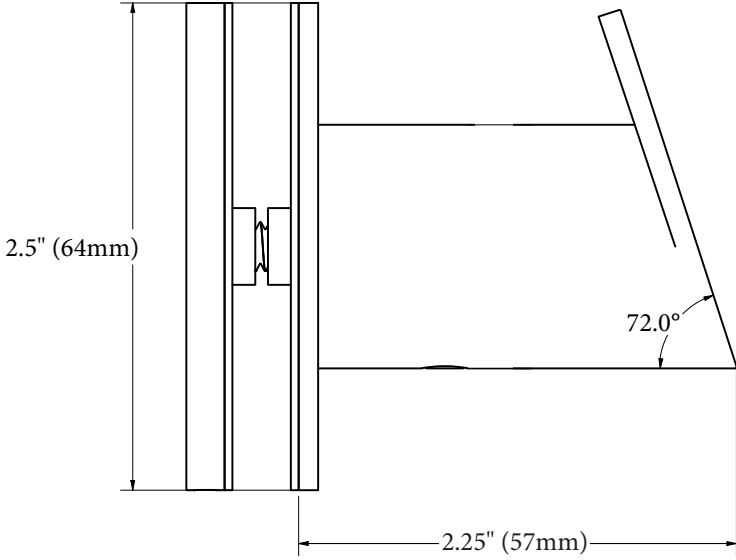


<b>MECHANICAL DATA</b>
Length: 2.5" (64mm)
Height: 2.5" (64mm)
Depth: 2.25" (57mm)
<b>COMPOSITION</b>
18-8 (304) Stainless Steel
<b>INSTALLATION</b>
WINGITS® CANTED Elegance™ Glass-Mounted Robe Hooks must be installed with silicone washers on both sides of the glazing prior to tightening and only into glazing and other panels 0.25" - 0.5" (6mm - 13mm) thick. Drill hole 0.375" (9.5mm).
<b>RECOMMENDED INTEGRATION</b>
WINGITS® CANTED Elegance™ Glass-Mounted Robe Hooks are designed to complement all CANTED Elegance™ bathroom accessories.

**Front**



**Side**



**Included Hardware**

