

# WINGITS®

## CANTED Elegance™

### Stainless Steel Single Button Robe Hook

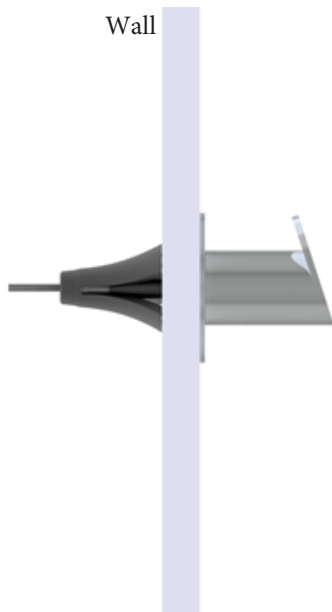
Model:

# WCNDESBRH

Part Numbers:

WCNDESBRHPS  
Polished Finish

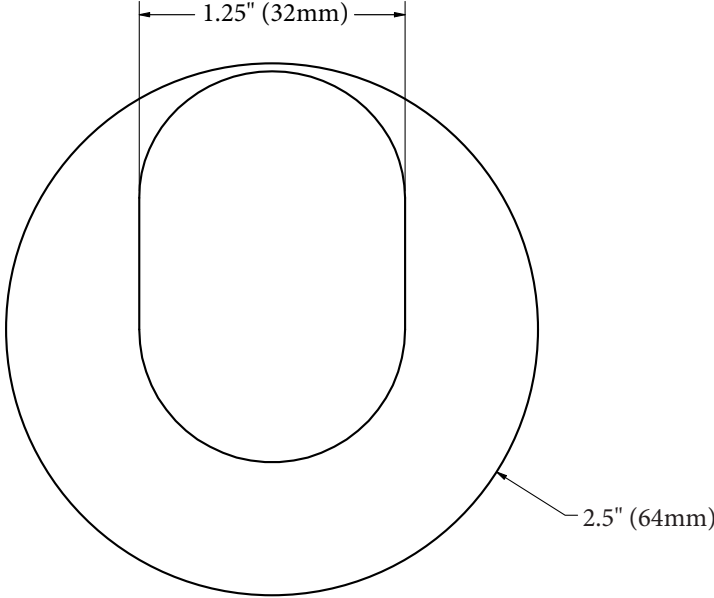
WCNDESBRHSN  
Satin Finish



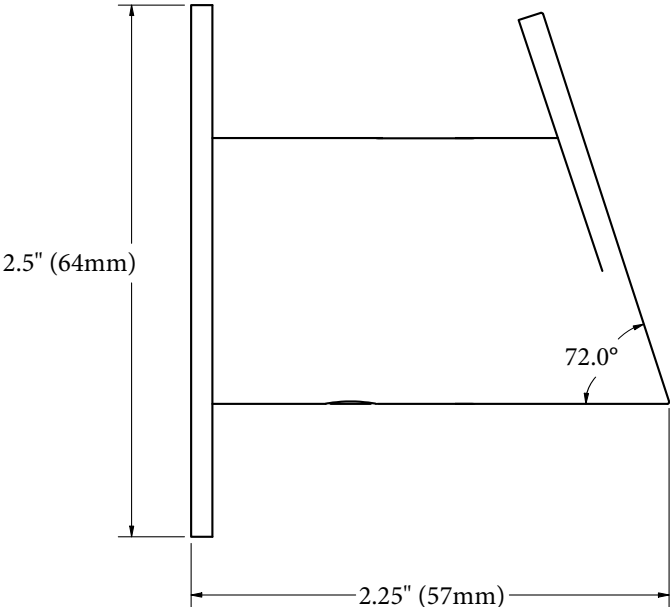
- Minimal, Elegant Design with CANTED Face
- ALL 18-8 (304) Stainless Steel Construction
- Can Be Installed with WINGITS® Fastener (optional)
- Superior Structure with Beautiful Finish

<b>MECHANICAL DATA</b>
Length: 2.5" (64mm) Height: 2.5" (64mm) Depth: 2.25" (57mm)
<b>COMPOSITION</b>
18-8 (304) Stainless Steel
<b>INSTALLATION</b>
Includes Stainless Steel Screws to Install into <b>Adequate Structural Blocking</b> . Includes 3M® VHB Waterproof Tape. Can Be Installed with WINGITS® Fasteners when blocking is not available.
<b>RECOMMENDED INTEGRATION</b>
<b>PROPER INSTALLATION REQUIRES</b> use of 3M® VHB Waterproof Tape to stop rotation and <b>MUST</b> be installed into <b>Adequate Structural Blocking</b> or with optional WINGITS® Fasteners. WINGITS® CANTED™ design is available in all Bath Accessories.

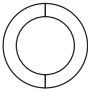

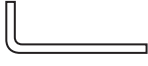

**Front**



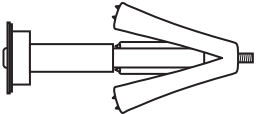
**Side**



**Included Hardware**

-  3M<sup>®</sup> Waterproof Tape (1)
-  Steel Screw (1)
-  Allen Wrench (1)
-  Set Screw (1)

**Optional Hardware  
(Sold Separately)**

-  WINGITS<sup>®</sup> MASTER Anchor<sup>™</sup> (MAW35) (1)