

WINGITS®

CONTOUR™

Single Robe Hook

Model:

WCONSRH

Part Numbers:

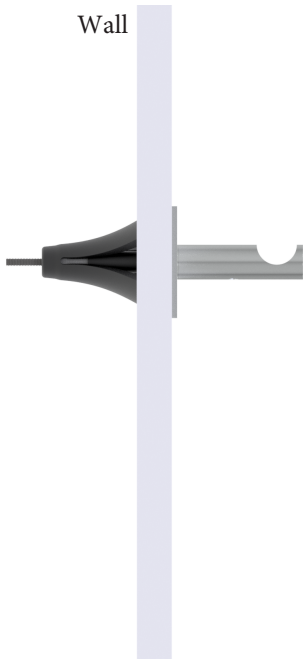
WCONSRHPS
Polished Finish

WCONSRHSN
Satin Finish



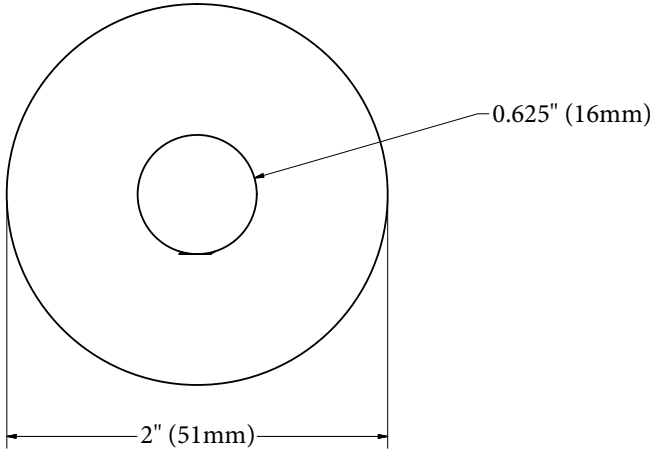
Features:

- No Lines for Dirt to Collect - Maintenance Free
- Hand Polished Stainless Steel
- Beauty, Functionality & Durability

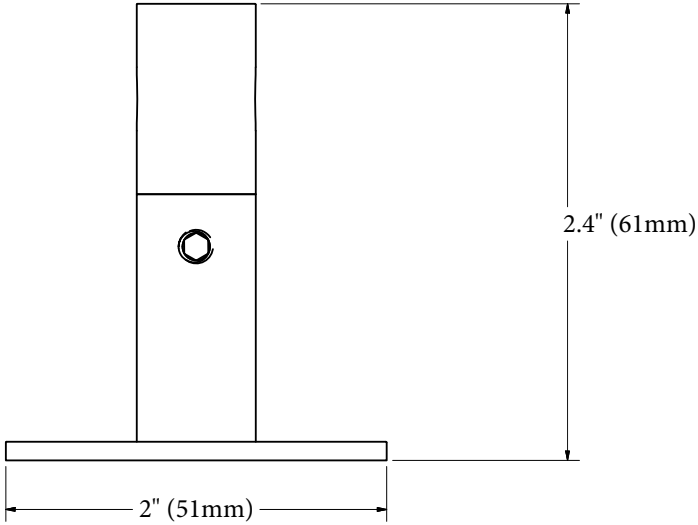


MECHANICAL DATA
Length: 2" (51mm)
Depth: 2.4" (61mm)
Height: 2" (51mm)
COMPOSITION
18-8 (304) Stainless Steel
INSTALLATION
Includes Stainless Steel Screw to Install into Adequate Structural Blocking . Includes 3M® VHB Waterproof Tape. Can Be Installed with WINGITS® Fasteners when blocking is not available.
RECOMMENDED INTEGRATION
PROPER INSTALLATION REQUIRES use of 3M® VHB Waterproof Tape to stop rotation and MUST be installed into Adequate Structural Blocking or with optional WINGITS® Fasteners. WINGITS® CONTOUR™ design is available in all Bath Accessories.

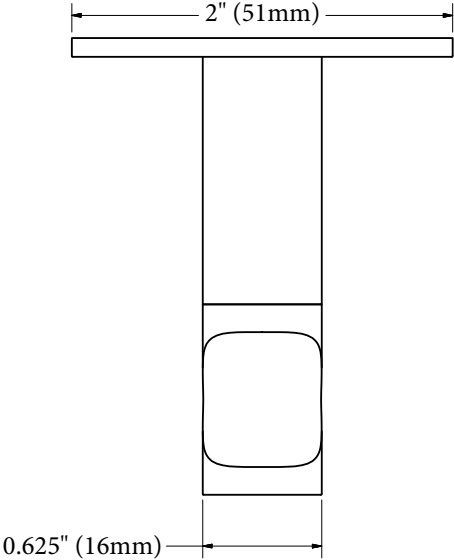
Front



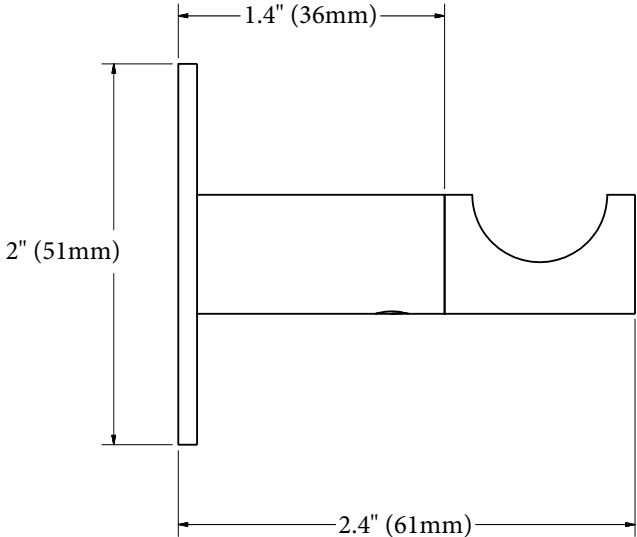
Bottom



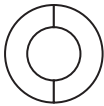

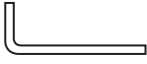

Top



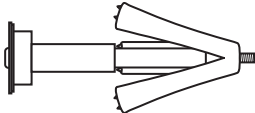
Side



Included Hardware

-  3M[®] Waterproof Tape (1)
-  2.5" S/S Screw (1)
-  Allen Wrench (1)
-  Set Screw (1)

Optional Hardware
(Sold Separately)

-  WINGITS[®] MASTER Anchor™ (MAW35) (1)