

WINGITS®

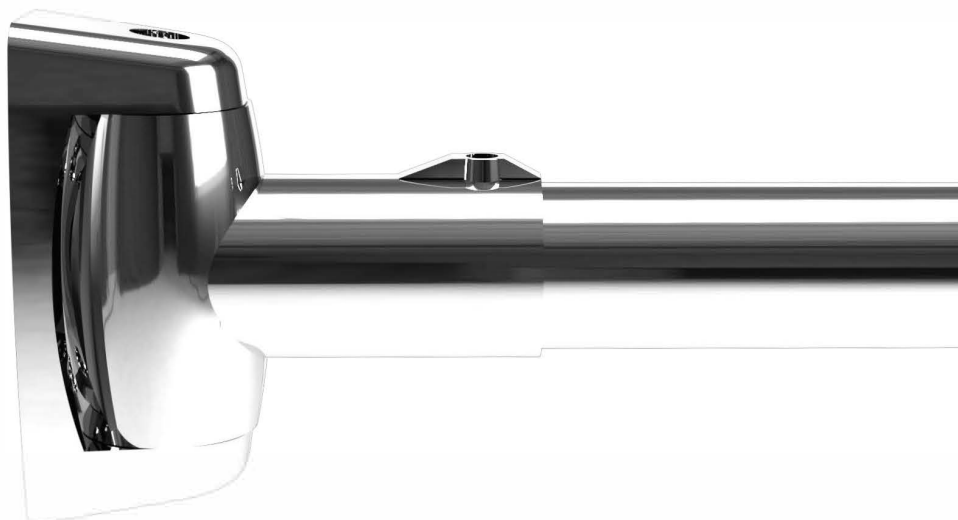
CRESCENT™ ROUND

5' Curved Shower Rod (6" Bow)

Model:
WCR

Part Numbers:

WCRBS5-6SP
5' Curved Shower Rod
Polished Finish

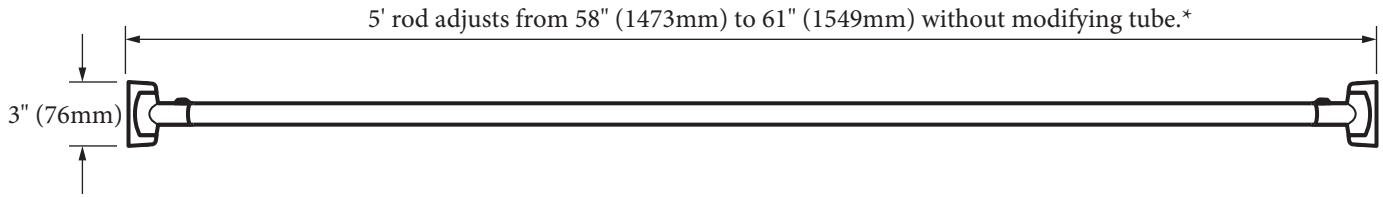


Features:

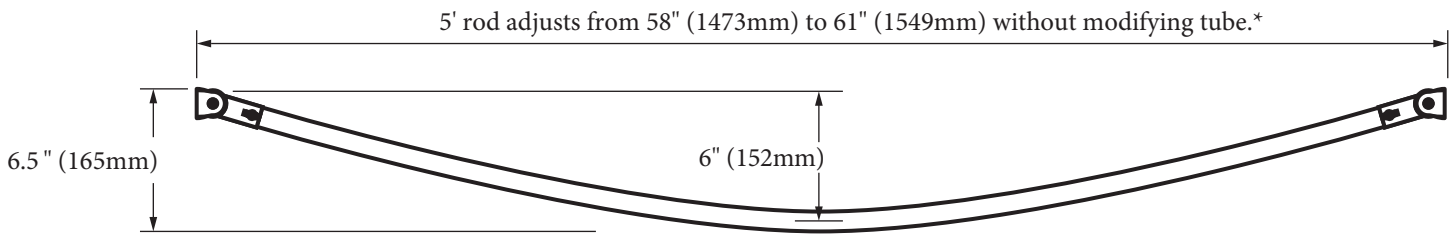
- Engineered to NEVER sag or loosen
- Structure, Durability, and Ease of Use for All Curtain Types
- Can Install in Drywall with WINGITS® Fasteners
- 25% more room in the shower

MECHANICAL DATA
<p>Height: 3" (76mm) Length: 5' Rod - Adjusts from 58" (1473mm) to 61" (1549mm) without modifying tube. Depth: 6" (152mm) Rod Diameter: 1" (25mm)</p>
COMPOSITION
<p>Tube: 22 gauge stainless steel Bracket: Die Cast Zinc, Chrome Plated</p>
INSTALLATION
<p>Includes Stainless Steel Screws to Install into Adequate Structural Blocking. Can Be Installed with WINGITS® Fasteners when blocking is not available.</p>
RECOMMENDED INTEGRATION
<p>Install into Adequate Structural Blocking or with WINGITS® Fasteners. WINGITS® CRESCENT™ design is available in all Bath Accessories.</p>

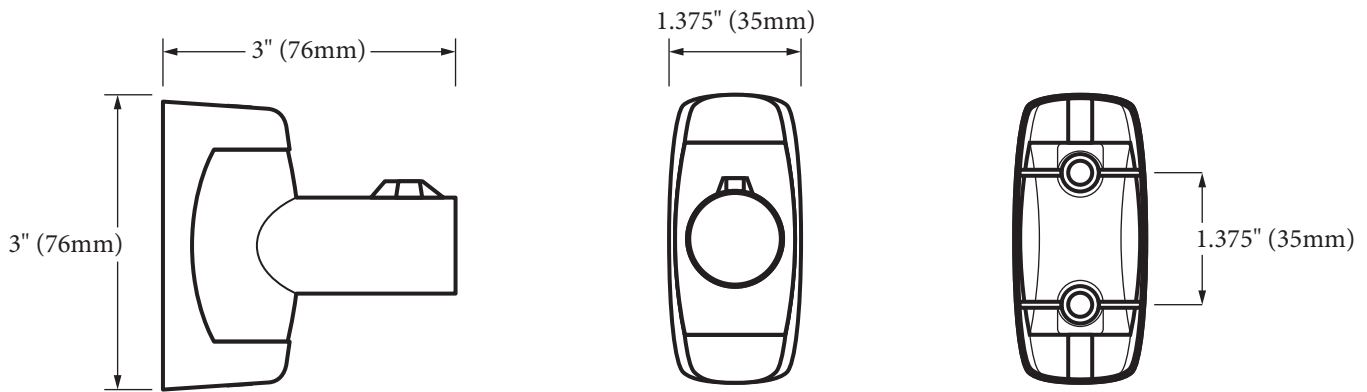
Front



Top



*Rod can be cut if further modification is needed



Bracket Side

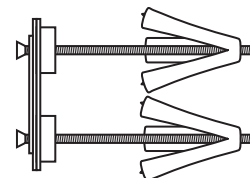
Bracket Top

Bracket Back

Included Hardware



**Optional Hardware
(Sold Separately)**



WINGITS[®] Bath Accessory Wingit Fastener (BAW30) (2)