

WINGITS®

PURE Elegance™

Stainless Steel Grab Bar with Nylon Sheath

Model:

WGB5PU

Part Numbers:

WGB5PU12zz
12" Nylon Sheath Finish

WGB5PU16zz
16" Nylon Sheath Finish

WGB5PU18zz
18" Nylon Sheath Finish

WGB5PU24zz
24" Nylon Sheath Finish

WGB5PU30zz
30" Nylon Sheath Finish

WGB5PU3zz
32" Nylon Sheath Finish

WGB5PU36zz
36" Nylon Sheath Finish

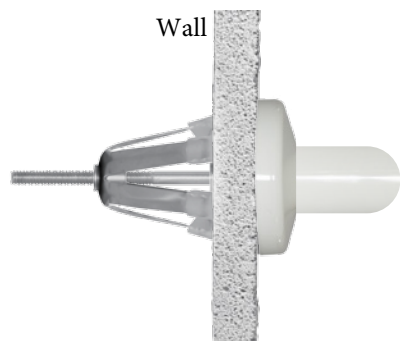
WGB5PU42zz
42" Nylon Sheath Finish

WGB5PU48zz
48" Nylon Sheath Finish

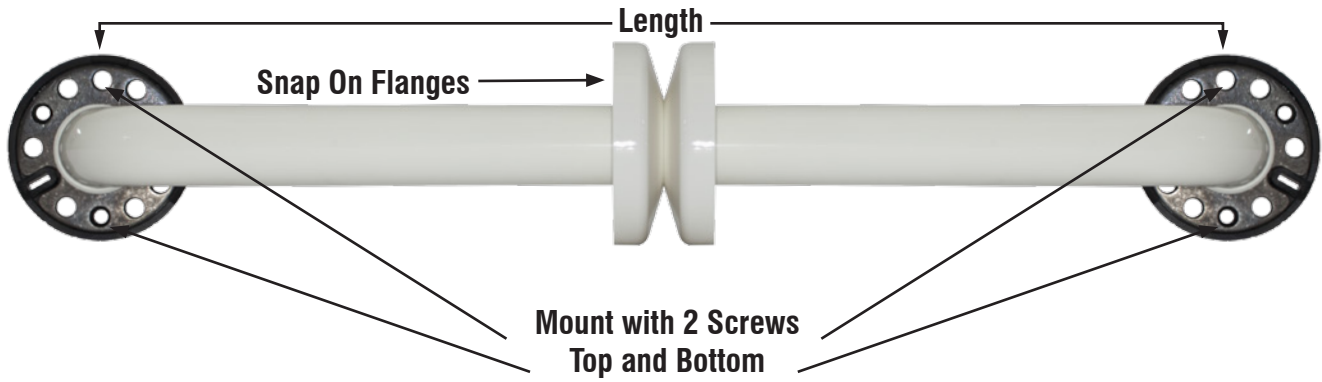


Features:

- Excellent gripping surface for wet hands - Non-slip, antimicrobial and recyclable
- Exceeds Safety Rails in Hazardous Locations criteria as well as barrier free accessibility guidelines, including ADAAG, for structural strength
- Meets or Exceeds all Building Codes, ADA Criteria, 2010 ADAAG and 2017 ANSI Standards
- Soft and Warm to the Touch. Available in White, Bone and Biscuit Finishes
- All parts are 18-8 (304) Stainless Steel - tubing is 18-Gauge (1.2mm)
- Mounting Flanges are 3" (76mm) in diameter, 3/32" (2.5mm) thick, HeliArc welded to the tubing
- Mounting Flanges have holes for attachment to WINGITS® Fasteners or Adequate Structural Blocking
- 800lb Load Capability

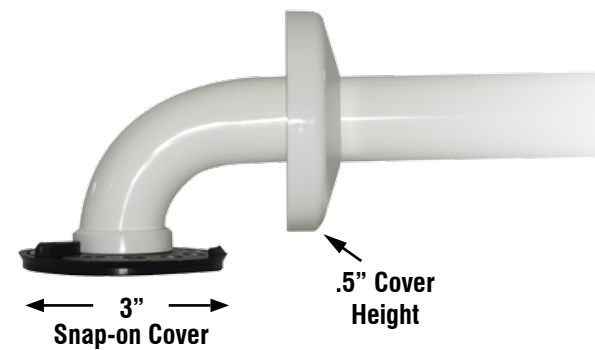
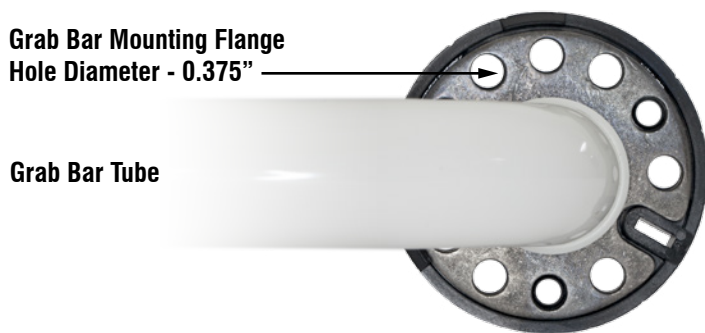
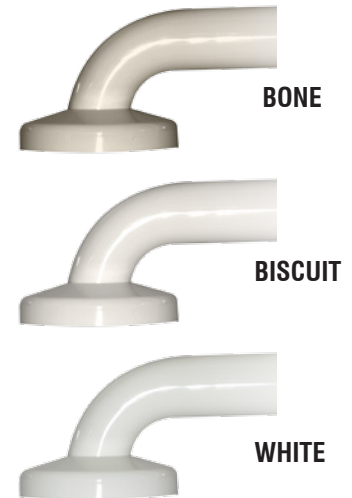


MECHANICAL DATA
Length: see part number
Height: 3" (76mm)
Depth: 2.75" (70mm)
Tube Diameter: 1.25" (32mm)
COMPOSITION
18-8 (304) Stainless Steel
INSTALLATION
Includes Stainless Steel Screws to Install into Adequate Structural Blocking . Can Be Installed with WINGITS® Fasteners when blocking is not available.
RECOMMENDED INTEGRATION
Install into Adequate Structural Blocking or with WINGITS® Fasteners.



WINGIT P/N	DIMENSION	DESCRIPTION
WGB5PU12zz	12" x 1.25	12" Nylon Sheath Stainless Steel 1.25" OD Grab Bar
WGB5PU16zz	16" x 1.25	16" Nylon Sheath Stainless Steel 1.25" OD Grab Bar
WGB5PU18zz	18" x 1.25	18" Nylon Sheath Stainless Steel 1.25" OD Grab Bar
WGB5PU24zz	24" x 1.25	24" Nylon Sheath Stainless Steel 1.25" OD Grab Bar
WGB5PU30xx	30" x 1.25	30" Nylon Sheath Stainless Steel 1.25" OD Grab Bar
WGB5PU32zz	32" x 1.25	32" Nylon Sheath Stainless Steel 1.25" OD Grab Bar
WGB5PU36zz	36" x 1.25	36" Nylon Sheath Stainless Steel 1.25" OD Grab Bar
WGB5PU42zz	42" x 1.25	42" Nylon Sheath Stainless Steel 1.25" OD Grab Bar
WGB5PU48zz	48" x 1.25	48" Nylon Sheath Stainless Steel 1.25" OD Grab Bar

Options For Nylon Sheath: "zz" (Finish): BO = BONE, BI = BISCUIT, WH = WHITE



Included Hardware



Optional Hardware
(Sold Separately)

