

# WINGITS®

## MAX Elegance™

### Stainless Steel Partition Grab Bar

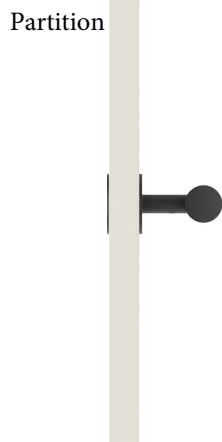
Model:  
WGB5PXEMB42



## Matte Black

#### Features:

- Modern design combined with **PATENTED** BridgeBind™ Manufacturing creates the ultimate in bath accessories
- Meets or Exceeds all Building Codes, ADA Criteria, 2010 ADAAG and 2017 ANSI Standards
- WINGITS® Designer Grab Bars for Partitions Offer Upscale look for Public Areas
- WINGITS® Polyester Paint for Interior/Exterior Use



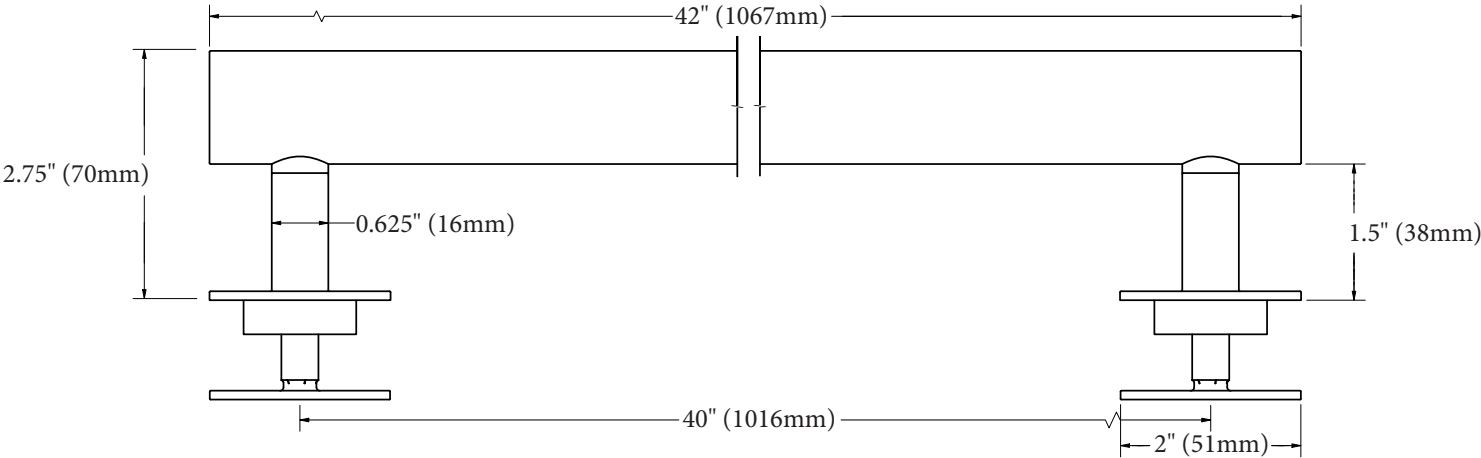
MECHANICAL DATA
Length: 42" (1067mm)
Height: 2" (51mm)
Depth: 2.75" (70mm)
Tube Diameter: 1.25" (32mm)
COMPOSITION
18-8 (304) Stainless Steel
INSTALLATION
Includes Stainless Steel Screws to Install into 1" Partition Panels. Includes 3M® VHB Waterproof Tape.
RECOMMENDED INTEGRATION
Install into <b>Adequate Structural Blocking</b> or with WINGITS® Fasteners. WINGITS® MAX™ design is available in all Bath Accessories.

*PATENTED*  
**BridgeBind™ Technology**

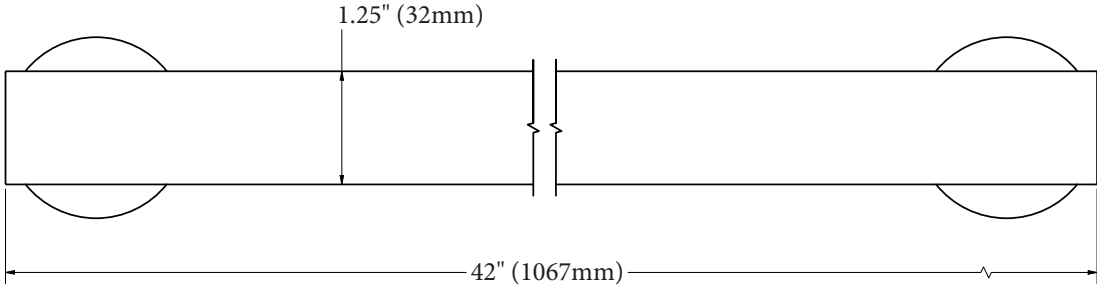


A steel dowel is expertly embedded in a stainless steel tube then arc welded to the tube's far side for the perfect structural synthesis

Top



Front



Included Hardware

