

# WINGITS®

# SURE GRIP™

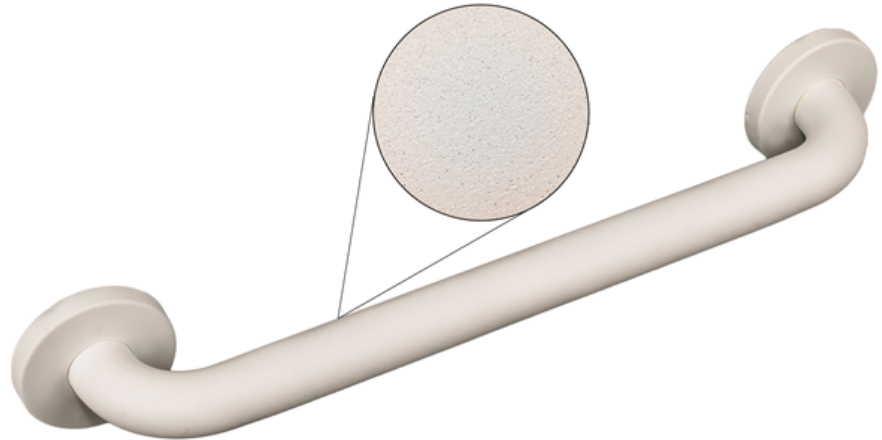
Superior Poly-Painted Stainless Steel Grab Bar - SURE GRIP™ (Anti-Slip)

**Model:**

## WGB5SG

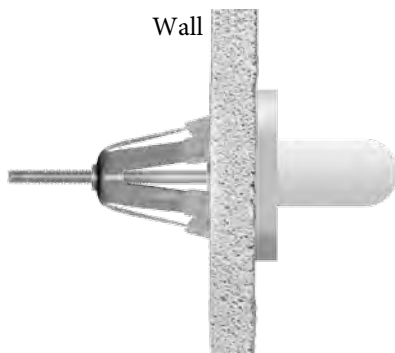
**Part Numbers:**

- WGB5SG12WH**  
12" White Sure Grip Grab Bar
- WGB5SG16WH**  
16" White Sure Grip Grab Bar
- WGB5SG18WH**  
18" White Sure Grip Grab Bar
- WGB5SG24WH**  
24" White Sure Grip Grab Bar
- WGB5SG30WH**  
30" White Sure Grip Grab Bar
- WGB5SG32WH**  
32" White Sure Grip Grab Bar
- WGB5SG36WH**  
36" White Sure Grip Grab Bar
- WGB5SG42WH**  
42" White Sure Grip Grab Bar
- WGB5SG48WH**  
48" White Sure Grip Grab Bar



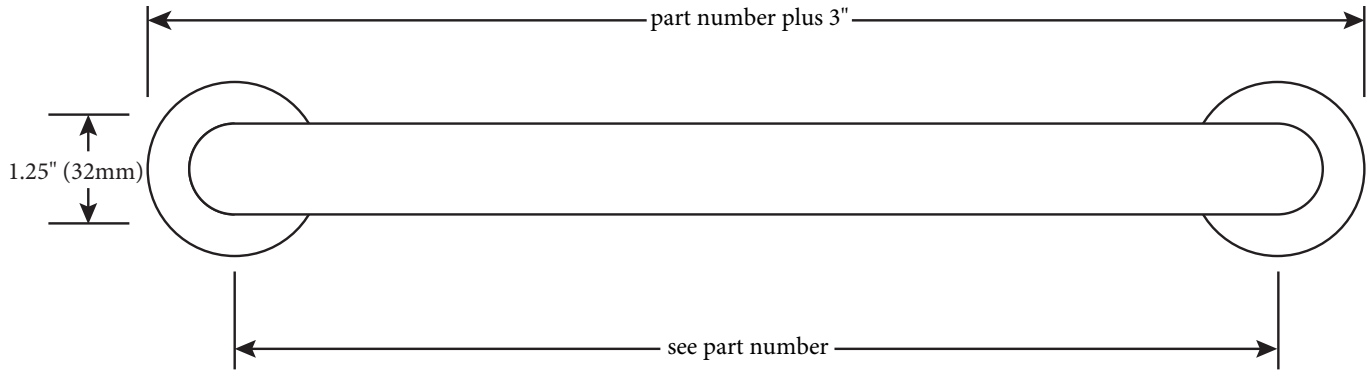
**Features:**

- All parts are 18-8 (304) Stainless Steel - tubing is 18-Gauge (1.2mm)
- Mounting Flanges are 3" (76mm) in diameter, 3/32" (2.5mm) thick, HeliArc welded to the tubing
- Mounting Flanges have 5 holes for attachment to WINGITS® Fasteners or adequate blocking.
- Meets or Exceeds all Building Codes, ADA Criteria, 2010 ADAAG and 2017 ANSI Standards
- Micro-Grip Technology
- Silicone-infused polyester paint - Anti-Slip
- Polyester Fibrous Paint (indoor/outdoor) - MADE in USA

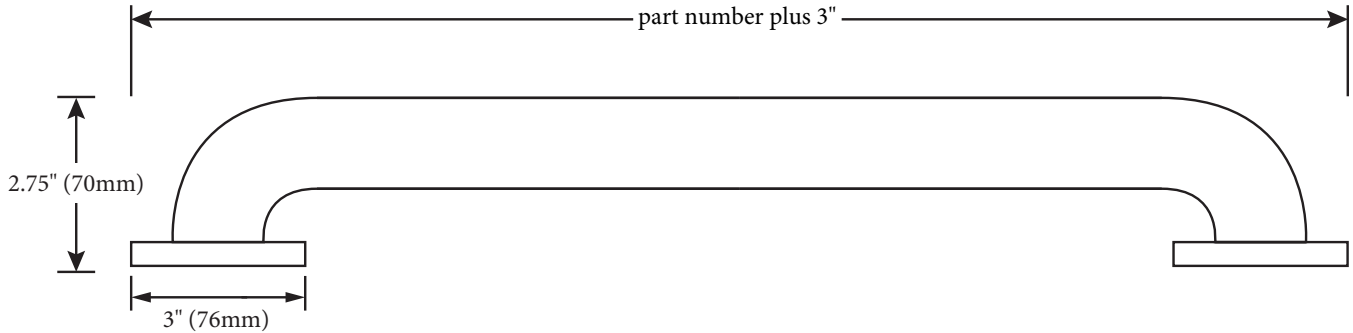


<b>MECHANICAL DATA</b>
Length: see part number
Height: 3" (76mm)
Depth: 2.75" (70mm)
Tube Diameter: 1.25" (32mm)
<b>COMPOSITION</b>
18-8 (304) Stainless Steel
<b>INSTALLATION</b>
Includes Stainless Steel Screws to Install into <b>Adequate Structural Blocking</b> . Can Be Installed with WINGITS® Fasteners when blocking is not available.
<b>RECOMMENDED INTEGRATION</b>
Install into <b>Adequate Structural Blocking</b> or with WINGITS® Fasteners.

**Front**



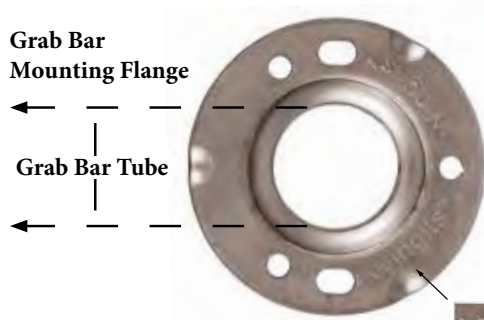
**Top**



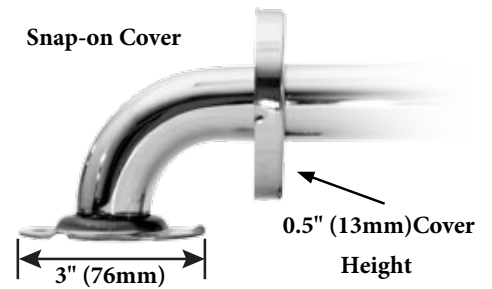
Holes - 0.25" (6mm)  
 Slots - 0.25" (6mm) x 0.5" (13mm)  
 (used when installing with the  
 WINGITS® Grab Bar Fastening  
 System)  
 Bolt Circle is 2.3125" (59mm)

**Grab Bar  
 Mounting Flange**

**Grab Bar Tube**



**Snap-on Cover**



**Included Hardware**



2.5" S/S Screw (6)

**Optional Hardware  
 (Sold Separately)**



WINGITS® Grab Bar  
 Fastener (GBW40) (2)



WINGITS® Reverse Grab Bar  
 Fastener (SRGBW40) (2)



WINGITS® Structurally  
 Engineered (RES) Grab Bar  
 Fastener (RESGBW35) (2)