

WINGITS®

INFINITE Elegance™

Model:

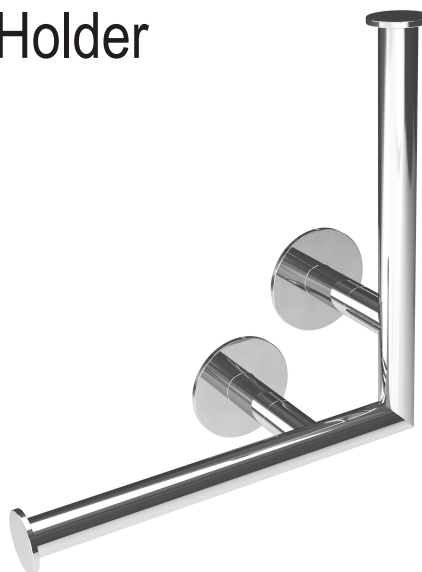
Double Horizontal Vertical Toilet Paper Holder

WIEDHVTPH

Part Numbers:

WIEDHVTPHPS
Polished Finish

WIEDHVTPHSN
Satin Finish



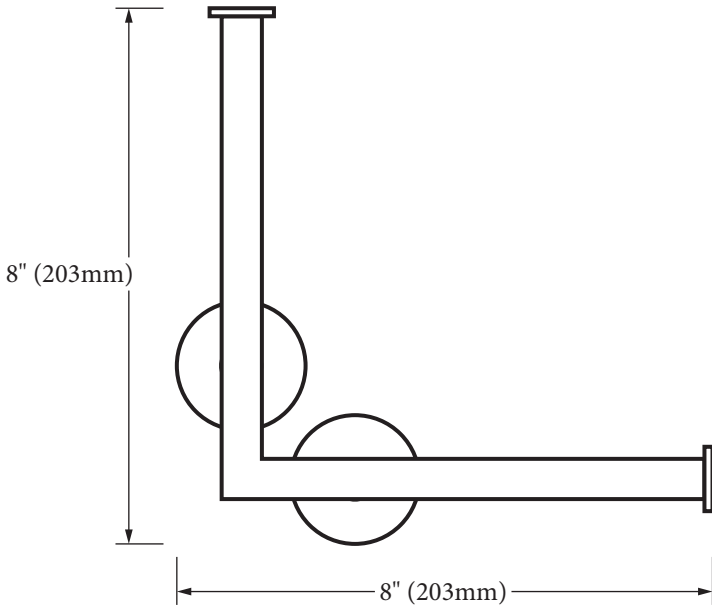
Features:

- Fully HeliArc® welded Structural Stainless Steel sculpted for Beauty, Function & Durability
- Minimal, Elegant Design
- Hand Polished Stainless Steel

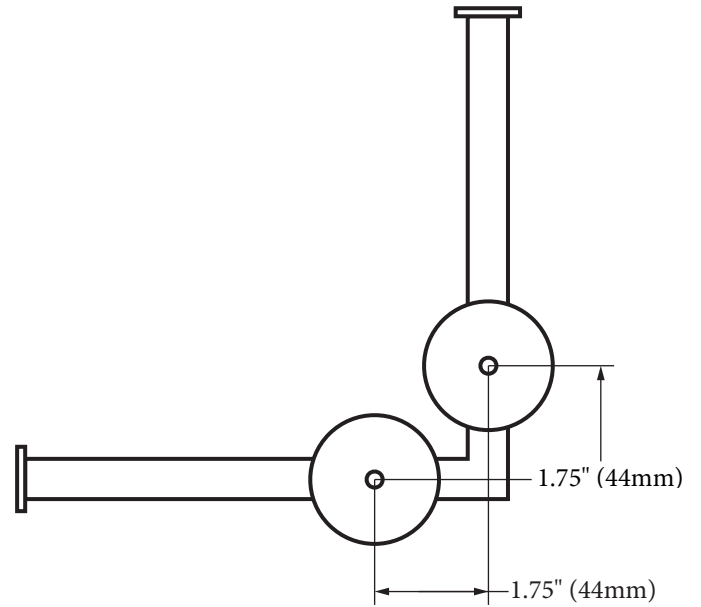


MECHANICAL DATA
Length: 8" (203mm) Height: 8" (203mm) Depth: 3" (76mm)
COMPOSITION
18-8 (304) Stainless Steel
INSTALLATION
Includes Stainless Steel Screws to Install into Adequate Structural Blocking . Includes 3M® VHB Waterproof Tape. Can Be Installed with WINGITS® Fasteners when blocking is not available.
RECOMMENDED INTEGRATION
Install into Adequate Structural Blocking or with WINGITS® Fasteners. WINGITS® INFINITE™ design is available in all Bath Accessories.

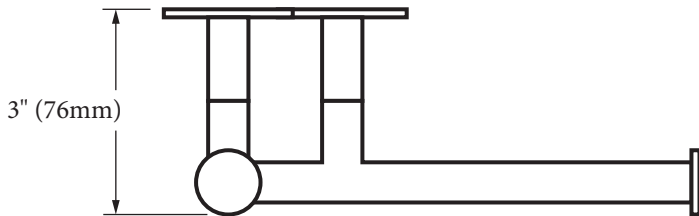
Front



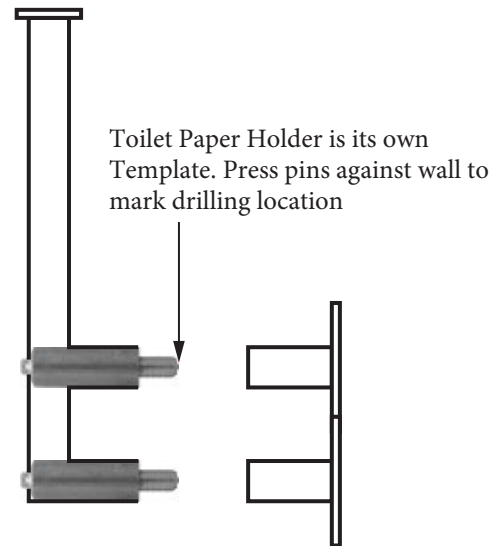
Back



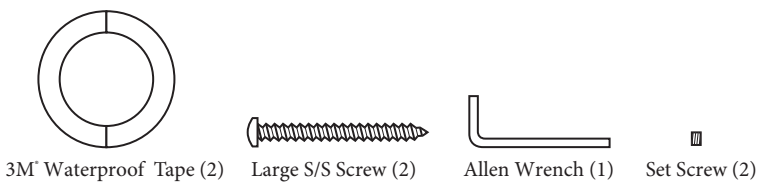
Top



Side



Included Hardware



Optional Hardware
(Sold Separately)

