

WINGITS®

INFINITE Elegance™

Mitered Double Robe Hook

Model:

WIEDRHH

Part Numbers:

WIEDRHPS
Polished Finish

WIEDRHSN
Satin Finish

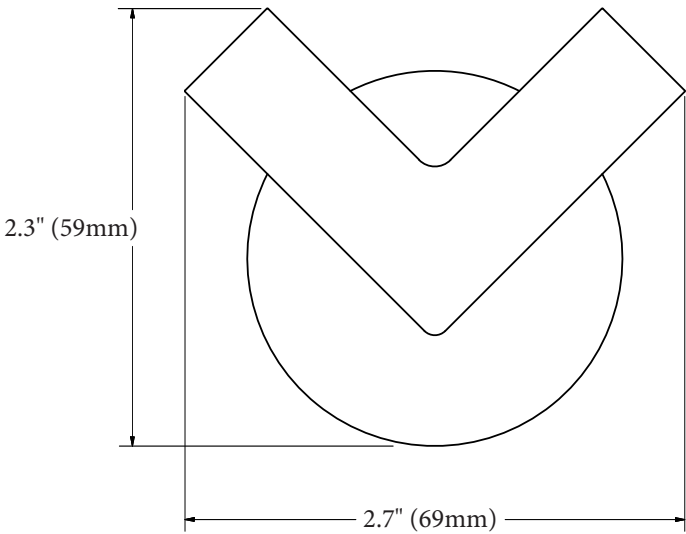


Features:

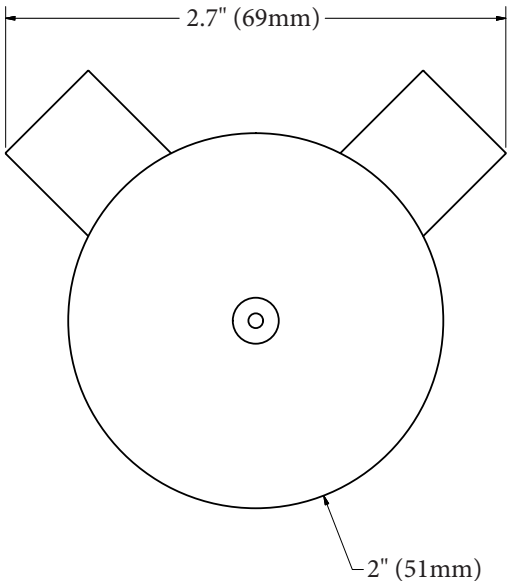
- Fully HeliArc® welded Structural Stainless Steel sculpted for Beauty, Function & Durability
- No Lines for Dirt to Collect - Maintenance Free
- Hand Polished Stainless Steel

MECHANICAL DATA
Length: 2.7" (69mm)
Depth: 2.5" (64mm)
Height: 2.3" (59mm)
Tube Diameter: 0.625" (16mm)
COMPOSITION
18-8 (304) Stainless Steel
INSTALLATION
Includes Stainless Steel Screws to Install into Adequate Structural Blocking . Includes 3M® VHB Waterproof Tape. Can Be Installed with WINGITS® Fasteners when blocking is not available.
RECOMMENDED INTEGRATION
PROPER INSTALLATION REQUIRES use of 3M® VHB Waterproof Tape to stop rotation and MUST be installed into Adequate Structural Blocking or with optional WINGITS® Fasteners. WINGITS® INFINITE™ design is available in all Bath Accessories.

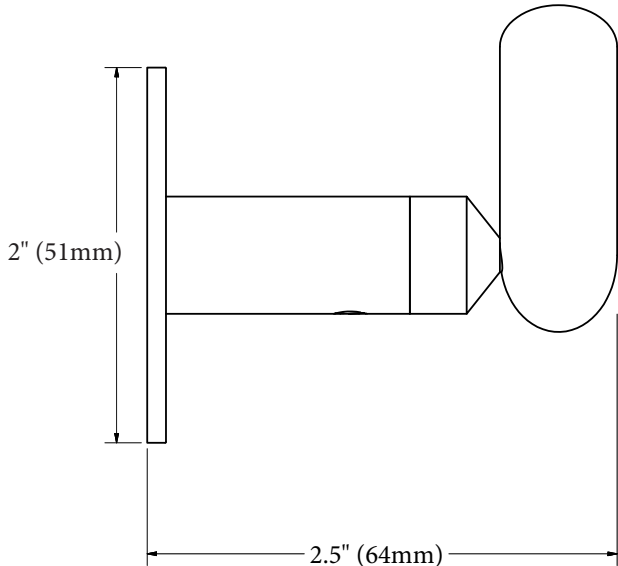
Front



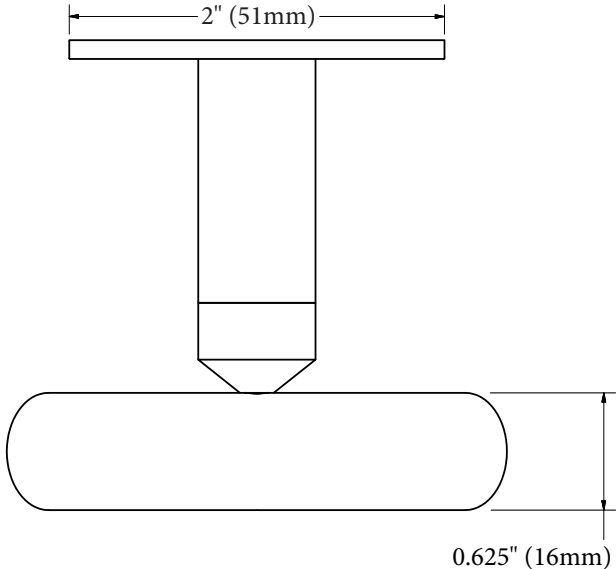
Back



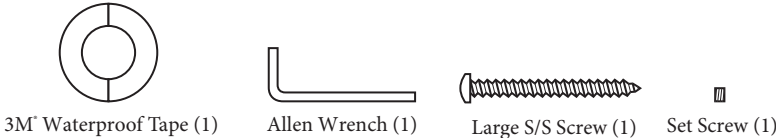
Side



Top



Included Hardware



Optional Hardware
(Sold Separately)

