

WINGITS®

INFINITE Elegance™

Toilet Paper Holder with Shelf

Model:

WIEFSDHTPH

Part Numbers:

WIEFSDHTPHPS
Polished Finish

WIEFSDHTPHSN
Satin Finish

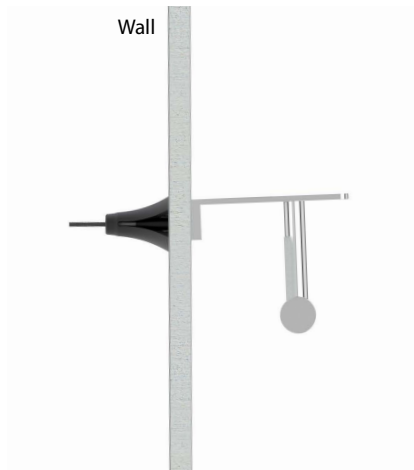


Includes World's
Strongest Fasteners®



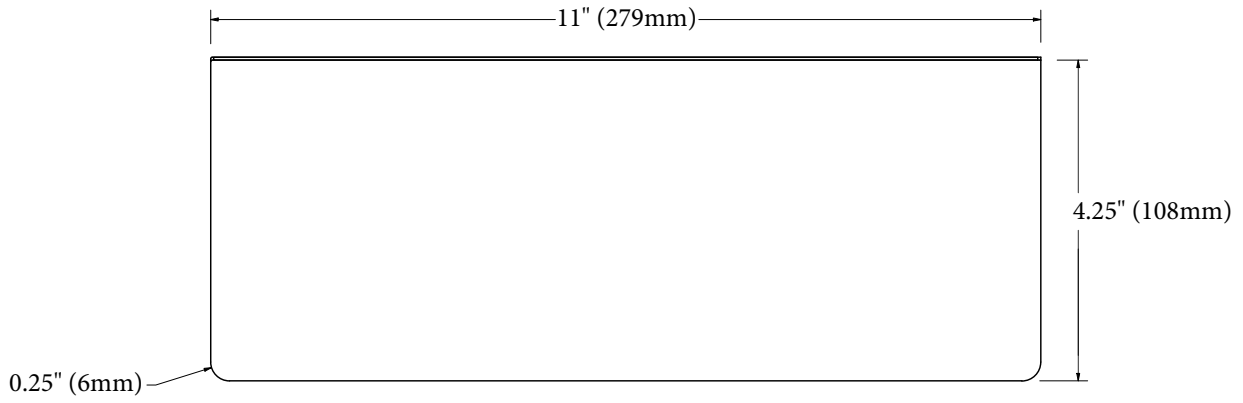
Features:

- Hand Polished Stainless Steel
- Beauty, Functionality & Durability
- Unparalleled Strength when Installed with WINGITS® Fasteners - Included

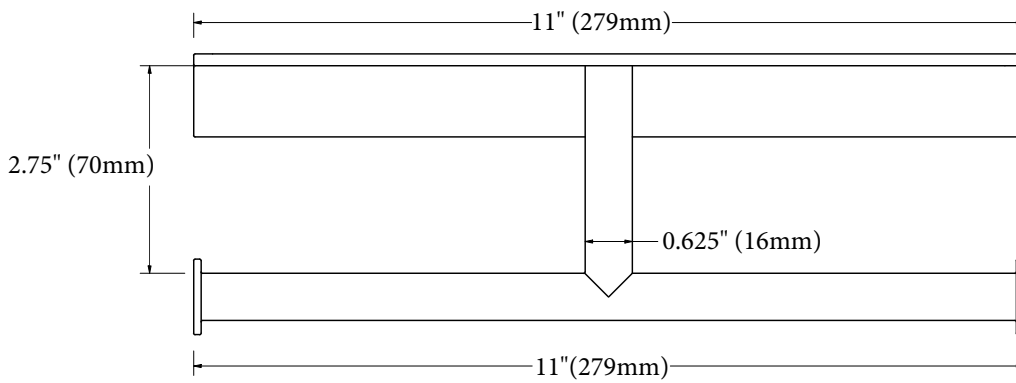


MECHANICAL DATA
Length: 11" (279mm)
Height: 3.75" (94mm)
Depth: 4.25" (108mm)
COMPOSITION
18-8 (304) Stainless Steel
INSTALLATION
Includes WINGITS® Fasteners for hollow-wall construction. Includes 3M® VHB Waterproof Tape.
RECOMMENDED INTEGRATION
Install with WINGITS® Fasteners (included) for Structural Waterproof Installation into hollow walls. WINGITS® INFINITE Elegance™ design is available in all Bath Accessories.

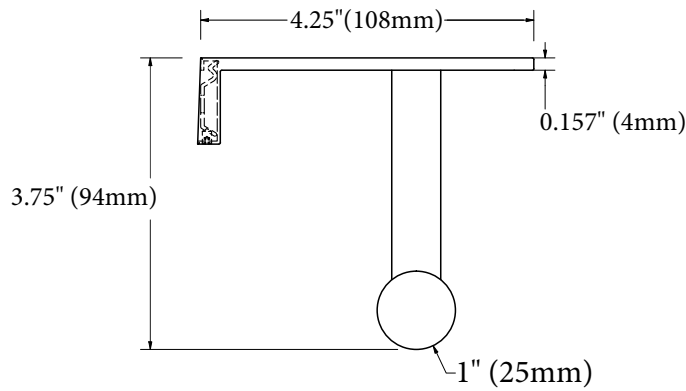
Top



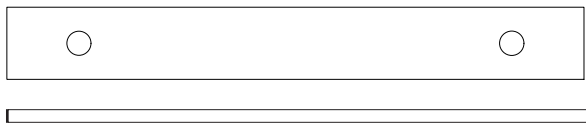
Front



Side



Included Hardware



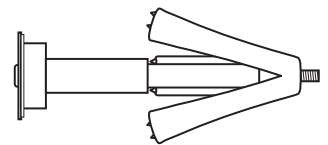
3M® VHB Tape Strips



Allen Wrench (1)



Set Screw (1)



WINGITS® MASTER Anchor (MAW35)
(2)